



AMTrend

Luxury casegoods, upholstery and furniture.
Crafted in America. Created for you.



YEARS *of* LUXURY

casegoods | upholstery | furniture

v4
2021



EST. 1980

40 YEARS of LUXURY

A
M
T
I
R
E
N
D

HMA
EST. 1980



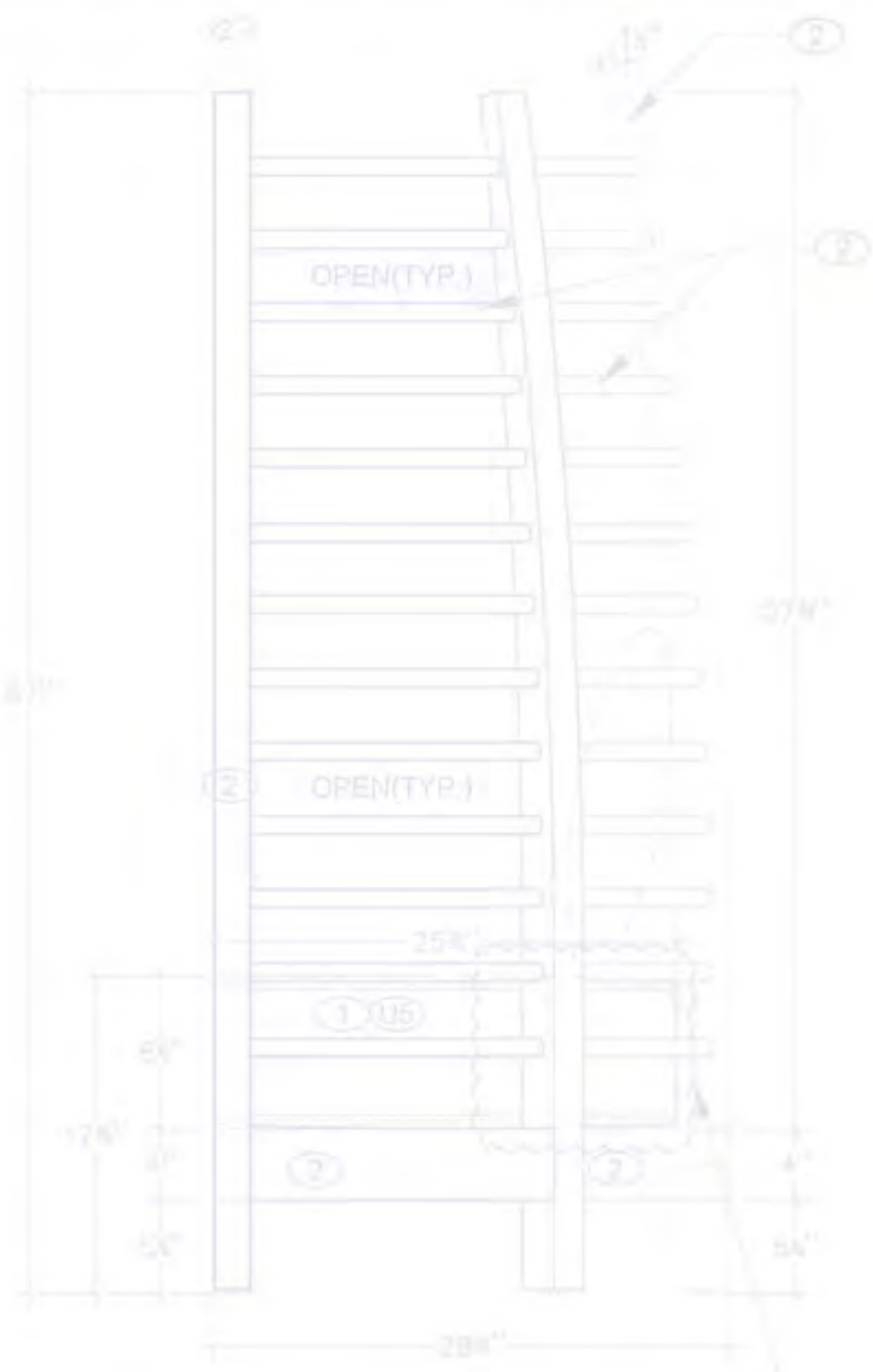
40 YEARS of LUXURY

2859



casegoods | upholstery | furniture

A
M
T
R
E
N
D



**PILLOW SHAPE AND THICKNESS IS ONLY FOR GRAPHIC REPRESENTATION ONLY

**ANCHOR D-RING CONNECTIONS AT





BACK VIEW
SCALE: 1" = 1'-0"



①
FRAME: FLAT CUT WHITE OAK FRAME, VENEER OUTSIDE
② BACK AND ROUND TAPERED LEGS WITH
STRETCHERS
③ NYLON GLIDES
ITEM: C.D.M @ CHAIR
④
MFG: LUUM
PATTERN: HOMAGE
COLOR: RESPECT
QTY: 2 YARDS EACH

TOP VIEW
SCALE: 1" = 1'-0"

40 YEARS of LUXURY

AMT
TREND

HMA
EST. 1980



AMTrend
Specialty Furniture Limited



STYLE: BLACK CERUSED SOLID OAK WOOD TOP, APRON WITH DRAWER, CENTER FLUTED PARTITION, AND LOWER SHELF (STAIN #4319)
 ① - BURNISH BRASS PLATED METAL ACCENTS AND HANDLE
 ② - BLACKENED STEEL METAL WHEELS AND SUPPORTS

QTY: 2



TOP VIEW
 SCALE: 1" = 1'-0"





TOP VIEW
SCALE: 1" = 1'-0"



STYLE: UPH TIGHT REMOVABLE BACK WEDGE CUSHIONS AND WATERFALL SEAT
 (1) - JUMBO SELF WELT

BASE: 3" HIGH x 5" RECESSED (1/16" THICK) BLACK
 (2) POWDER COATED METAL KICK BASE
 (2) - NYLON GLIDES

OTHER: BUILT-IN MAPLE WOOD TABLE - PAINTED MATTE BLACK TO MATCH BLACK POWDER COATED BASE
 - (2) FURNLITE FC-739 OUTLETS

UPH FAB 1 @ MIDDLE PORTION OF SEC. E

PATTERN: BESPOKE

UPH FAB 3 @ SMALL PORTION OF SEC. A, B, C & D & SMALL PORTION OF SECTION E

MFG: BURCH
 PATTERN: BESPOKE
 COLOR: MALBEC
 QTY: 3 YARDS TOTAL

ITEM: UPH FAB 4 @ LARGER PORTION OF SEC. A & B
 (U4)

MFG: BURCH
 PATTERN: BESPOKE
 COLOR: ALUMINUM
 QTY: 9 YARDS TOTAL

ITEM: UPH FAB 5 @ LARGER PORTION OF SECTION E & (2) BACK WEDGE CUSHIONS
 (U5)

MFG: BURNHAM

PLEASE CONFIRM FABRIC TO USE ON WELT FOR EACH ITEM.



(1) SELF WELT

BASE: BRASS METAL LAMINATE CLADDED BASE

(2) NYLON GLIDES

ITEM: C.D.M. @ OTTOMAN

(U) MFG: P KAUFMANN

PATTERN: C INTRINSIC

COLOR: ONYX

QTY: 2 YARDS EACH - 6 YARDS TOTAL

QTY: 3

TOP VIEW
SCALE: 1/8" = 1'-0"



40 YEARS of LUXURY

AMT
TREND

HMA
EST. 1980

AMT
TREND

CELEBRATING 40 YEARS

800
2800





STYLE: FULLY UPH INSIDE/OUTSIDE BACK, ARMS,
SEMI-ATTACHED SEAT, BAND
COMMERCIAL GRADE CLEAR NYLON GLIDES

ITEM: C.O.M. @ CHAIR
MFG: JAMES DUNLOP
PATTERN: CONTEXTURE
COLOR: SULPHUR
YARDS EACH - 56 YARDS TOTAL

TOP VIEW
SCALE: 1" = 1'-0"

VIEW
1" = 1'-0"

SOFTNESS
PED



"INSPIRATIONAL IMAGE FOR REFERENCE"

QTY: 2



TOP VIEW
SCALE: 1" = 1'-0"



40 YEARS of LUXURY

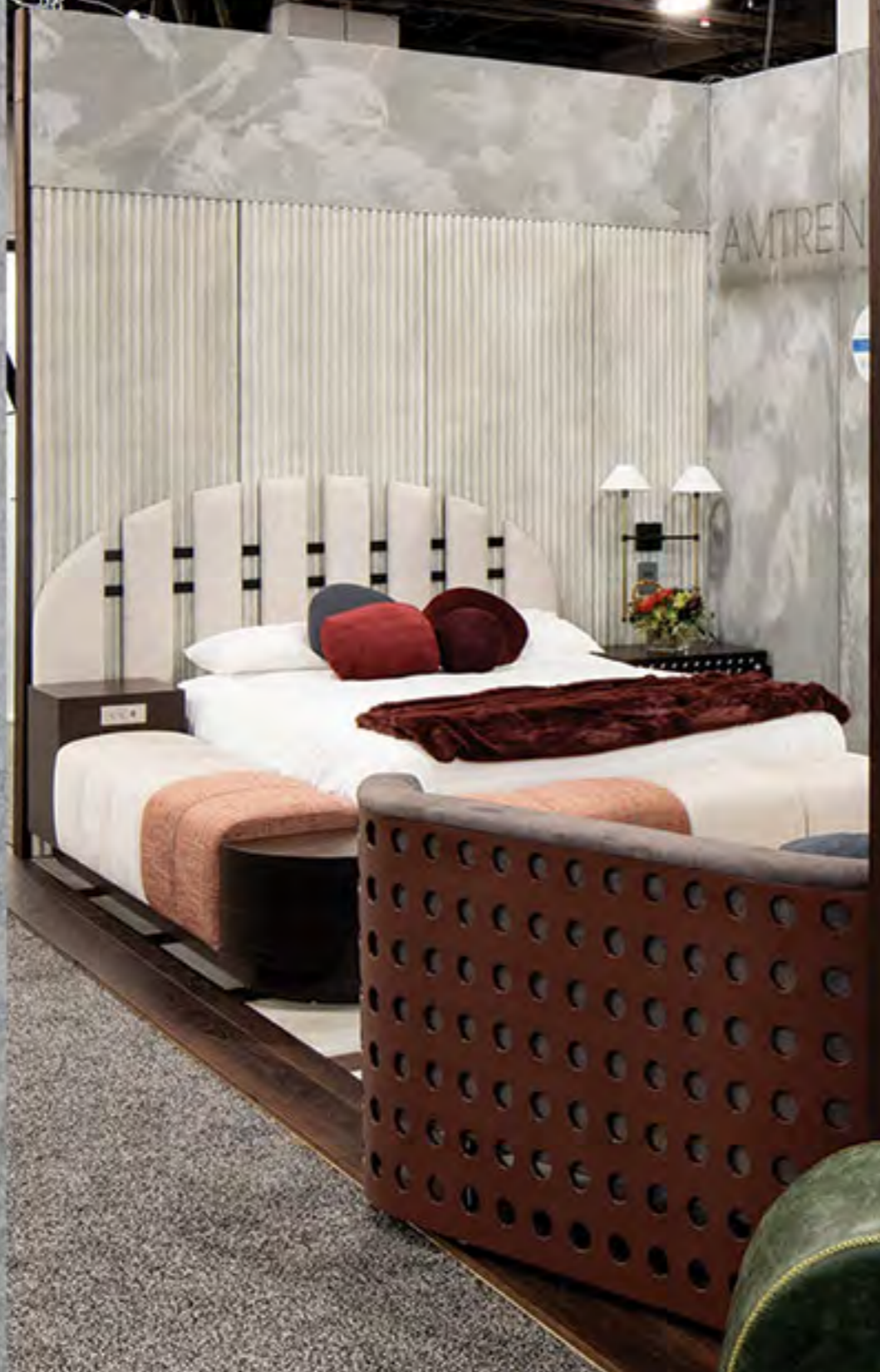
AMTIREND

HMA EST. 1980

HMA EST. 1980

40 YEARS of LUXURY

2659





- ① SEMI-ATTACHED SEWN SEAT CUSHION, BAND
- ①① - SELF WELT

BASE: BLACK POWDER COAT METAL BASE

- ②
- ②① - NYLON GUIDES

PILLOW: (1) 16" x 16", KNIFE EDGE, 80/45/5 FEATHER BLEND

ITEM: C.O.L. @ CHAIR

①①
MFG: CORTINA

PATTERN: FIELD
COLOR: ...

QTY: 1

*** PILLOW SHAPE AND THICKNESS IS DRAWN FOR GRAPHIC REPRESENTATION ONLY ***

TOP V
SCALE

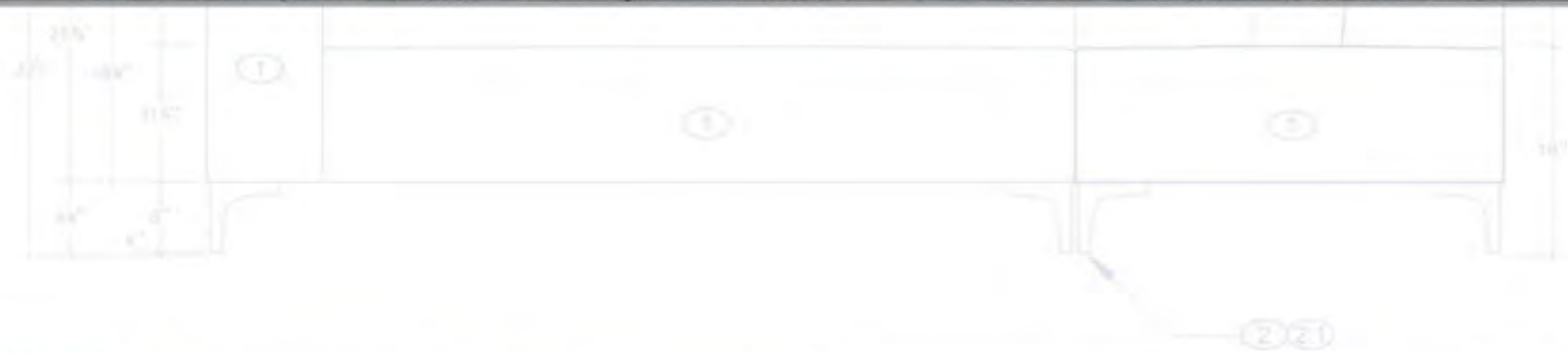




① PLAIN UPH FRAME
BASE: ALDER WOOD PAINTED BASE (STAIN #4241 -
SAMPLE MATCHING BENJAMIN MOORE MIDNIGHT
331)
GLIDES
CHAIR.
E
ITEX SF BASTIA
ESE
EACH - 40 YARDS TOTAL

TOP VIEW
SCALE: 1" = 1'-0"





2
21 - NYLON GLIDES

ITEM: C.O.M. @ SOFA
UT
MFG: CARNEGIE
PATTERN: REVERIE
COLOR: 6146-30
QTY: 24 YARDS TOTAL

SIDE VIEW
SCALE: 3/8" = 1"

QTY: 1





STYLE: UPH BACK PANEL SEMI-ATTACHED

CHAMPAGNE PLATED METAL

IN GLIDES

CHAIR

PARIS

CHARLES DE TAPIOCA

ONE

EACH: 12 YARDS TOTAL

TOP VIEW
SCALE: 1" = 1'-0"

BACK VIEW
SCALE: 1" = 1'-0"

NOTES: TO BE CONSTRUCTED
TRACT USE MANUFACTURER
SIBLE FOR STRUCTURAL INTEGR
ANCE. METAL MUST BE SEALED TO PR
RNISHING & FINGERPRINTING METAL
INTS/SEAMS MUST BE WELDED AND OF
MOOTH WITH NO BURRS OR SHARP EDG
BMIT ALL FINISH SAMPLES FOR REVIEW
ROVAL PRIOR TO FULL RUN PRODUCT
T BE FIRM BUT COMFORTABLE
CONTR
PROFILE



40 YEARS of LUXURY

AMTIREND

HMA EST. 1980

AMTIREND
Luxury casegoods, upholstery and furniture.
Crafted in America. Created for you.
ESTABLISHED 1980

HMA EST. 1980 40 YEARS of LUXURY 2859





13 1/2" DIA

TOP VIEW
SCALE: 1" = 1'-0"



16 1/2" DIA

23 - NYLON GLIDES

ITEM: C.O.M. @ OTTO
MFG: MAHARAM
PATTERN: MERT
COLOR: GATOR
QTY: 3 YARDS EACH - 24 YARDS TO

QTY: 12

(W) SPECIES: MAPLE WOOD

STYLE: LPH BISCUIT TUFTED INSIDE WING BACK, OUT
(1) BACK, ARMS, BAND AND REVERSIBLE SEAT CUSHION

ARMS: 4" MAPLE WOOD ARM CAP
(2)





FRONT VIEW
SCALE: 1" = 1'-0"

40 YEARS of LUXURY

AMTRENDD

HMA EST. 1980

Quality casegoods, upholstery and linens. Contact your nearest Dealer to you. ESTABLISHED 1989

AMTRENDD

ALECEK HOSPITALITY

40 YEARS of LUXURY

WOODS LUDLO

AMTRENDD

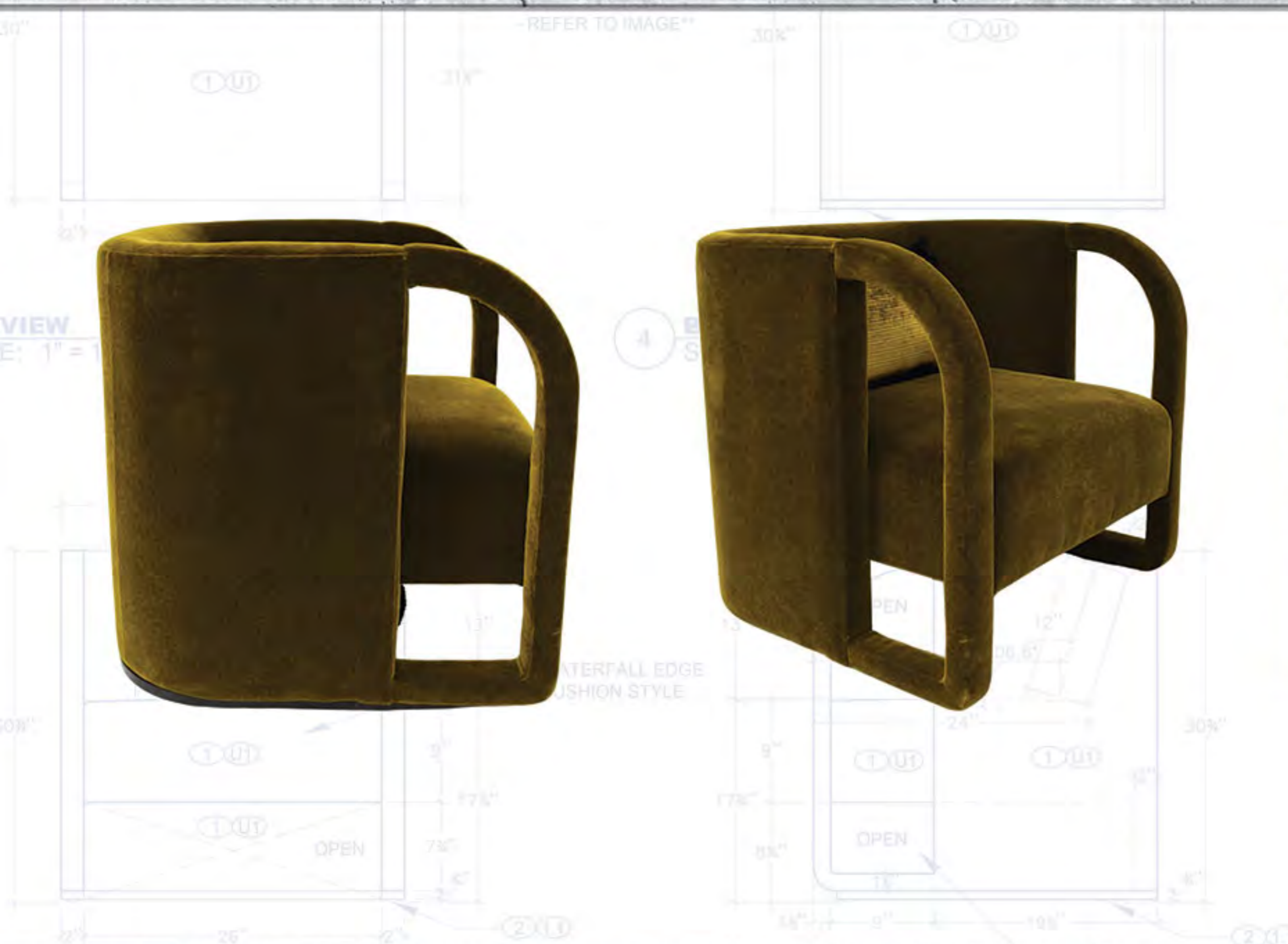
ASH SPITALITY

BE SMOOTHED OUT

QTY: 2

TOP VIEW
SCALE: 1" = 1'-0"





OTHER: 3/4" METAL COFF UNDERSEAT
② (BLACK POWDER COAT FINISH)
ITEM: C.O.M. @ CHAIR
①(U)
MFG: FIL DOUX
PATTERN: MOHAIR
COLOR: FLORENTINE
QTY: 5 YARDS EACH - 30 YARDS TOTAL



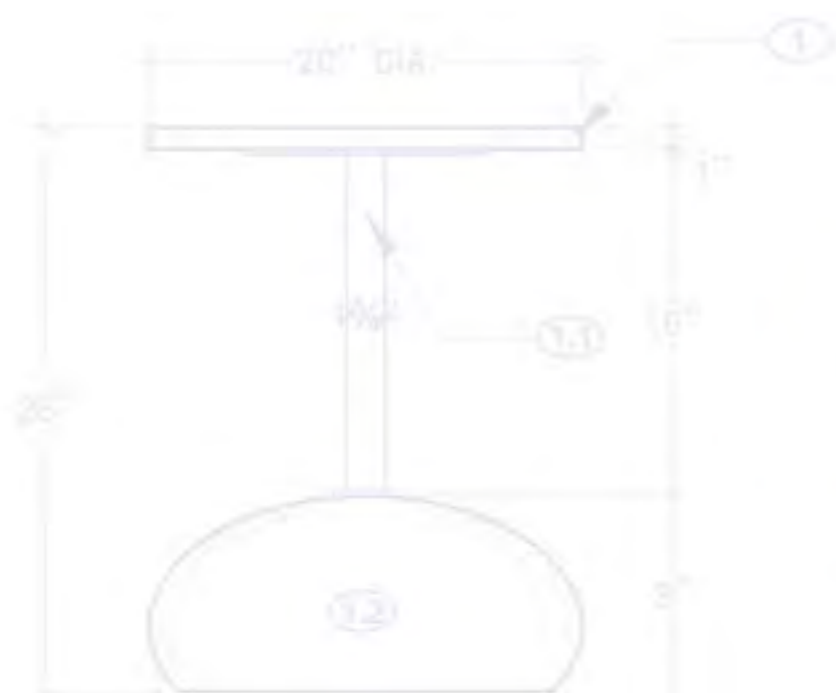
QTY: 6

- ① - WHITE POWDER COAT POST
- ② - PRECAST CONCRETE PEBBLE BASE - GRAY COLOR

QTY: 1



TOP VIEW
SCALE: 1" = 1'-0"

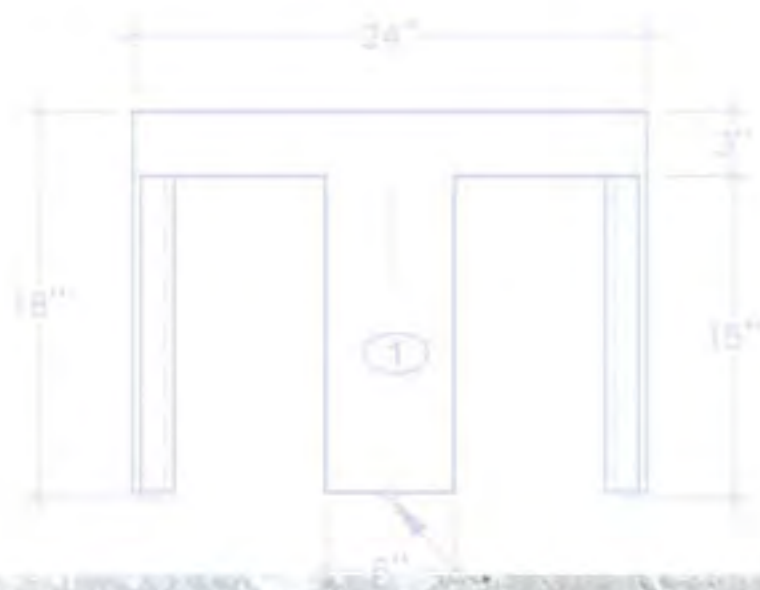


STYLE: WALNUT WOOD VENEER AND SOLIDS WITH
① PANEL LEGS (STAIN # 4246)
①.1 - ADJUSTABLE GLIDES

QTY: 10

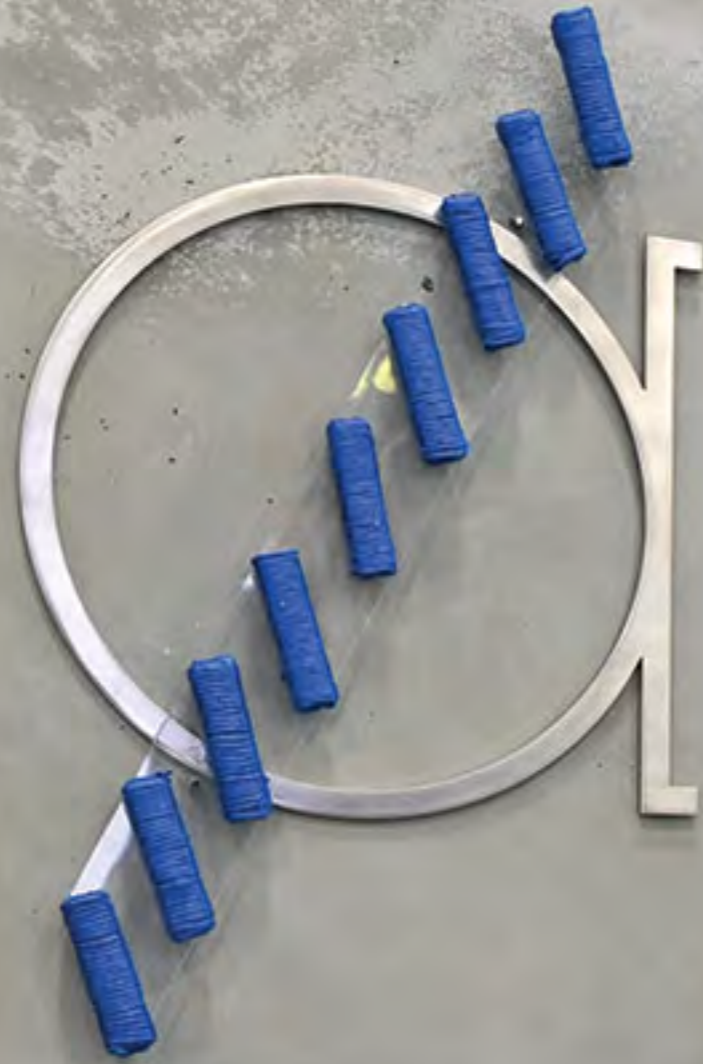


TOP VIEW
SCALE: 1" = 1'-0"





A
M
T
I
R
E
N
D



YEARS

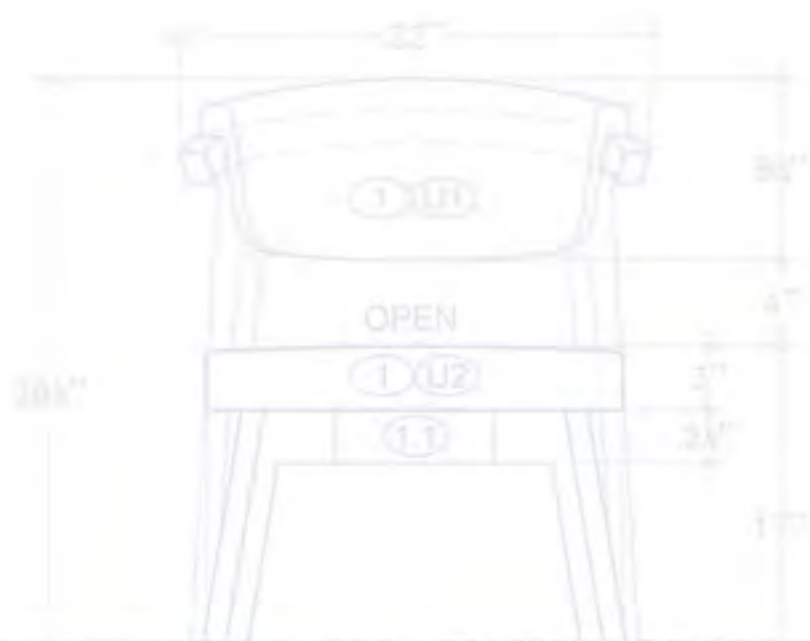
of LUXURY

casegoods | upholstery | furniture





TOP VIEW
SCALE: 1" = 1'-0"



STYLE: UPH BACK PANEL AND 3" THICK TIGHT SEAT

- (1) - WALNUT WOOD FRAME, SEAT BASE AND SQUARE TAPERED LEGS
- (12) - NYLON GLIDES (SUITABLE FOR CARPET)

ITEM: C.O.M. @ BACK

(11)
MFG: UPPER SOUTH STUDIO
PATTERN: TURTLE WATER ON STYLE J FABRIC GROUND
COLOR: 169-CK4
QTY: 3/4 YARDS TOTAL

ITEM: C.O.M. @ SEAT

(12)
MFG: MASILITE
PATTERN: TUSCANY
COLOR: ARROW WOOD
QTY: 3/4 YARDS TOTAL

QTY: 1

INSIDE BACK: MAPLE WOOD VENEER AND SOLIDS BACK

11" HIGH UPH BACK PAD WITH STRAPS

SEAT CUSHION

WOOD VENEER APRON

BLACK POWDER COAT METAL

BACK RAIL HANGER

BLACK PLASTIC LAMINATE OUTSIDE BACK WITH FRENCH CLEATS BELLOW 26" AFF

ITEM: C.O.M. @ BACK PAD (U1)

MFG: SOURCE ONE

PATTERN: FLEMING

COLOR: BOND

QTY: 5 YARDS TOTAL

ITEM: C.O.M. @ STRAP (U2)

MFG: MOMENTUM

PATTERN: STEINBECK

COLOR: MILTON

QTY: 1-1/2 YARDS TOTAL

ITEM: C.O.M. @ SEAT (U3)

MFG: SOURCE ONE

PATTERN: CURAC

COLOR: DUSK

QTY: 7 YARDS TOTAL





(W1)
SPECIES: RIFT CUT OAK WOOD
STAIN: 3729 WHITE OAK CLEAR FINISH

STYLE: TIGHT UPH SEAT - SEMI FIRM FOAM WITH DAC
(1) WRAP

APRON: BLEACHED RIFT CUT OAK - CHANNELED
(2) APRON

BRASS PLATED LEGS (AMTRENDS'S
FINISH)
BRASS PLATED CAPS AT CORNER
END'S SATIN BRASS FINISH)
STABLE OUTDOOR CLEAR NYLON GLIDE

TOP VIEW
SCALE: 1" = 1'-0"



40
YEARS of LUXURY

A
M
T
I
R
E
N
D

HMA
EST. 1980





STYLE: LPH HEADREST, INSIDE/OUTSIDE BACK PANEL,
 STRAP SIDES OF BACK

FRAME: BURNISHED BRASS PLATED METAL FRAME
 (AMTRENDS BURNISHED BRASS)
 - COMMERCIAL GRADE CLEAR NYLON GLIDES

ITEM: C.O.L. @ CHAIR
 MFG: KELEEN
 PATTERN: THRIFT CLASSIC
 COLOR: TIPPED BEIGE
 QTY: 55 SQ FT EACH - 110 SQ FT TOTAL

ITEM: C.O.M. @ HEADREST
 MFG: VALLEY FORGE
 PATTERN: VLVEL RADIANCE
 COLOR: BLUSH
 QTY: 1/2 YARD EACH - 1 YARD TOTAL

QTY: 2

STYLE: 1-1/2" THICK NATURAL GREY CONCRETE TOP
- SALVAGED PINE WOOD BASE
- ADJUSTABLE NYLON GLIDES



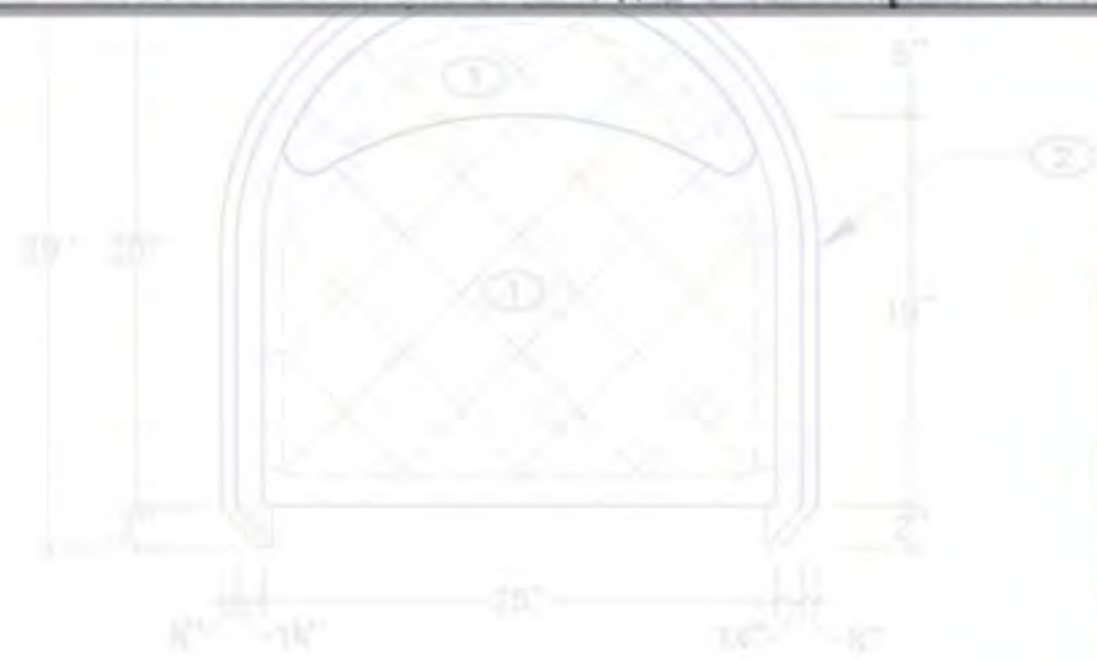
TOP VIEW
SCALE: 3/4" = 1'-0"

STYLE: UPH INSIDE/OUTSIDE BACK PANEL AND TIGHT SEAT
① SEAT
② -3/8" DIA SELF WELT
FRAME: GUNMETAL POWDER COAT METAL FRAME -
② (RIVERSTONE PTFE 25M - FLEXIMATIC POWDERS)



1 TOP VIEW SCALE:

1/4 YARD EACH - 1 YARDS TOTAL
QTY: 30



STYLE: DIAMOND SEWN QUILTED INSIDE BACK & SEAT

①

FRAME: 3/4" WALNUT WOOD VENEER FRAME

②

BASE: 1" HIGH OIL RUBBED BRONZE METAL BASE

③

"AMTRENDS OILED RUBBED BRONZE"

③.1

- NYLON GLIDES

ITEM: C.O.L. @ CHAIR

④

MFG: TIGER LEATHER

PATTERN: BOHO

COLOR: TATTOO / BOH 63770

QTY: 55 SQ FT EACH - 110 SQ FT TOTAL

QTY: 2

GENERAL NOTES:

- WOOD PANEL PATTERN CUT TO HAVE A CONTINUOUS LOOK ACROSS ENTIRE BACK AND NOT SEGMENTED.
- TIGHT UPH SEAT AND BACK WITH BLIND TUFTED DETAIL
- WOOD GRAINING TO HAVE CONTINUOUS APPEARANCE AND AVOID NOTICEABLE SEAMS.
- DESIGNER TO APPROVE FINAL VENEER SHEET SIZE/WIDTH.
- MUST BE PROPERLY WEIGHTED AND DIMENSIONALLY STABLE TO ENSURE ITEM WILL NOT TIP OVER.
- SEND AVENUE PROGRESS PHOTO OF FRAME BEFORE UPHOLSTERING."



40
YEARS of LUXURY

A
M
T
I
R
E
N
D

HMA
EST. 1980



A
M
T
I
R
E
N
D

HOSPITALITY
Design • Purchasing • Logistics

- STYLE:
- ① TIGHT UPH INSIDE/OUTSIDE BACK AND TIGHT SEAT
 - ①① METAL TRIANGLE ACCENTS AT BOTTOM CORNERS (AGED BRASS POWDER COAT YL02)
 - ①② NYLON GLIDES

ITEM: C.O.M. @ MODULAR SECTIONAL SOFA
①③
MFG: PINDLER
PATTERN: GHENT
COLOR: PLATINUM
QTY: 16 YARDS TOTAL



TOP VIEW
SCALE: 3/8" =



ITEM: F-3419_BENCH

(W1)

SPECIES: WHITE OAK WOOD

STAIN: STAIN # 4350

STYLE: 3" THICK TIGHT UPH SEAT DRY FAST FOAM

(1) WEBBING

BASE: 1-1/4" TH

(2)

(2.1) - MATTE

SLED LEGS

(2.2) - NYLON GLID

ITEM: C.O.M. @ BEN

(J23)

MFG: ARCHITEX

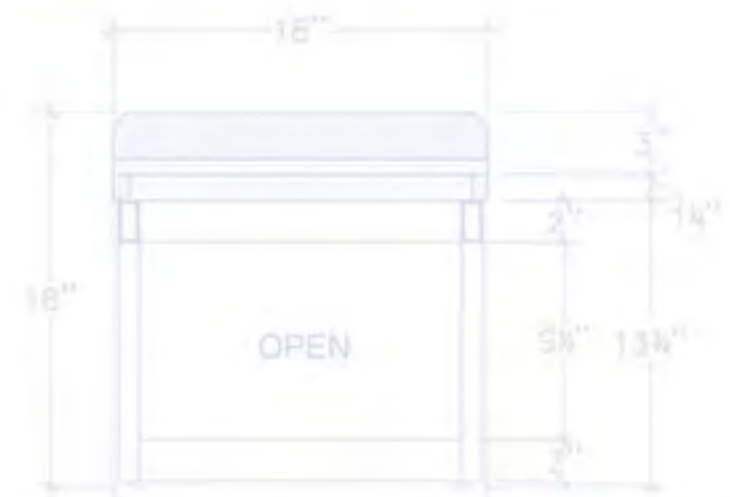
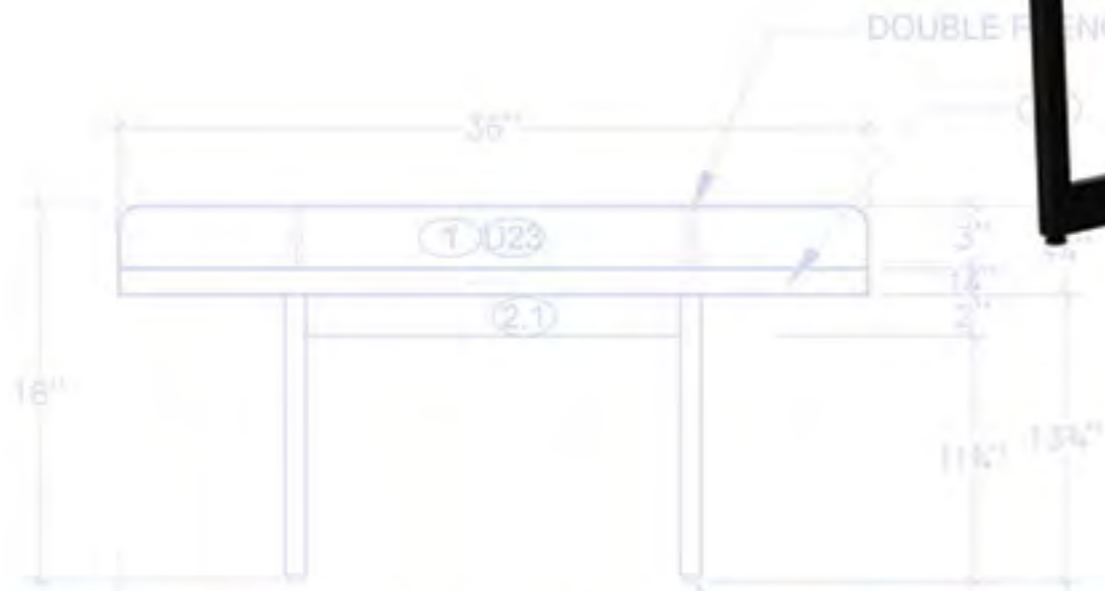
PATTERN: MCQUEE

COLOR: BUTTERM

QTY: 1 YARD EACH

YARD TOTAL

QTY: 2





TOP VIEW
SCALE: 1/2" = 1'-0"



©ELLEFINITY 2018, UNLESS OTHERWISE SPECIFIED

ITEM: P-04_STOOL (W)
SPECIES: WALNUT WOOD STAIN: # 3998 MATTE BLACK
STYLE: TIGHT UP SEAT AND BODY ① ② - 1/2" H CHEMETAL LAMINATE ANTIQUE BRASS BANDS
LEGS: ② 8" HIGH WALNUT WOOD SQUARE TAPERED LEGS ③ - NYLON GLIDES
ITEM: G.O.M. @ BODY (U)
MFG: ARCHITEX PATTERN: ULTRACRUSH COLOR: MCCUNAUGHEY QTY: 1-1/2 YARDS EACH - 6 YARDS TOTAL
QTY: 4



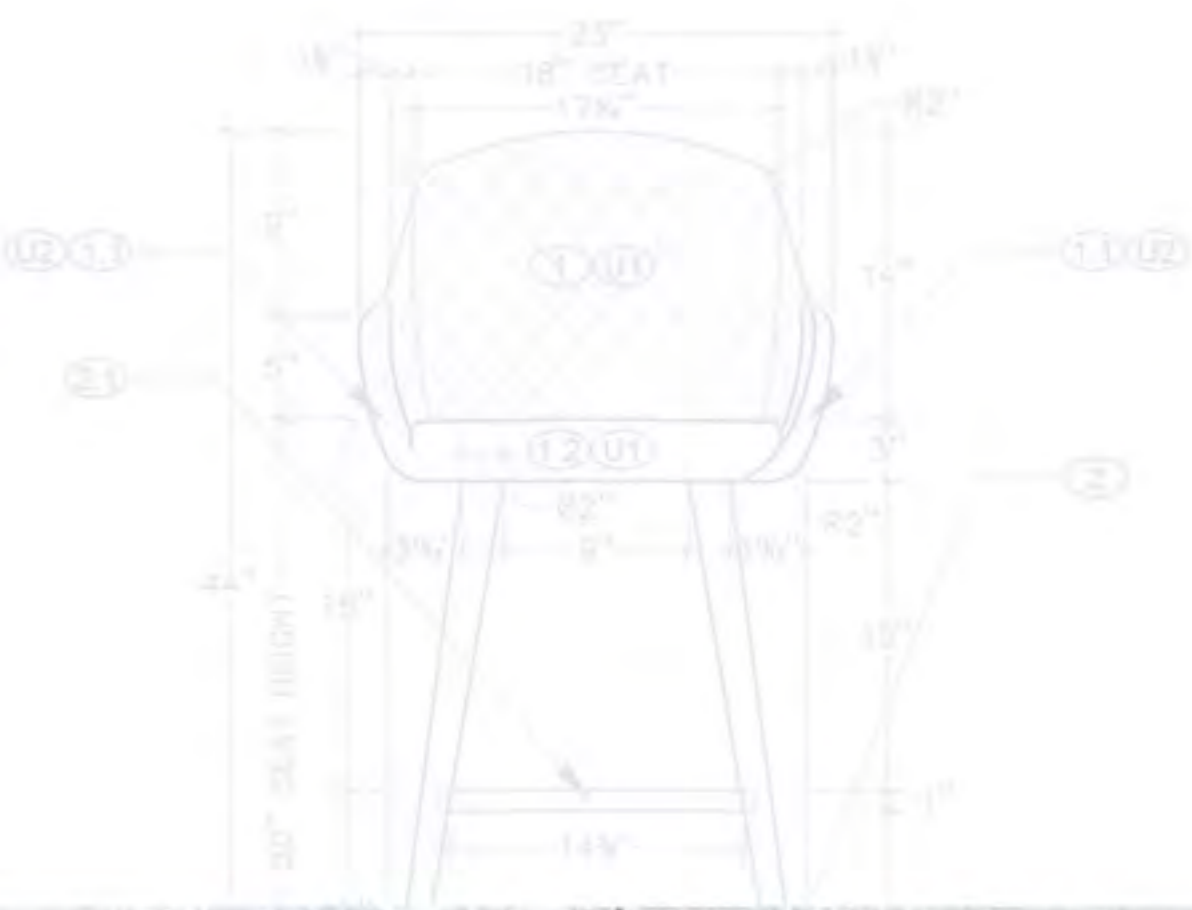
YEARS of LUXURY

A
M
T
I
R
E
N
D





1 TOP VIEW
SCALE: 1" = 1'-0"



4 SIDE VIEW
SCALE: 1" = 1'-0"

ITEM: CLB-204-SG CUSTOM BAR STOOL - PT

(W1)

SPECIES: ALDER WOOD

STAIN: #434E

STYLE:

(1) - DIAMOND SEWN QUILTED UPH INSIDE BACK & ARMS

(1.1) - PLAIN UPH OUTSIDE BACK & FRONT OF ARMS

(1.2) - PLAIN UPH TIGHT SEAT

FRAME:

(2) - WOOD ROUND TAPERED LEGS WITH NYLON GLIDES

(2.1) - 1/4" T x 1" H CHARCOAL POWDER COATED METAL FLAT BAR SQUARE RING STRETCHERS W/ EASED EDGES

ITEM: C.O.M. @ INSIDE BACK & SEAT

(U1)

MFG: KB CONTRACT

PATTERN: PATHFINDER

COLOR: SMOKE

QTY: 1-3/4 YARDS TOTAL

ITEM: C.O.M. @ OUTSIDE BACK & FRONT OF ARMS

(U2)

MFG: CASAMANCE

PATTERN: 4310-07-00

COLOR: PALISSE

QTY: 1-1/4 YARDS TOTAL

QTY: 1



MFG. OPUZEN
PATTERN: ELLA FLORAL ON BARONNESS
TEAL TAUPE

STYLE: PLAIN UPH INSIDE/OUTSIDE BACK, ARMS AND 14" THICK NO-SAG SPRING WATERFALL SEAT

BASE: 2" HIGH ALDER WOOD PLINTH BASE (DARK STAIN)
NYLON GLIDES (SUITABLE FOR CARPET)

SIDE VIEW
SCALE: N.T.S.

MFG: WEITZNER
PATTERN: T1123 MEMORY
COLOR: D1 GOLD FINCH
QTY: 2 YARDS TOTAL

ITEM: C.O.M.E.
US





STYLE: TIGHT UPH SEAT AND BACKREST WITH OPEN
 BACK. BACKREST TO WRAP AROUND SIDES

METAL: 1/4" DIA SATIN CHROME ROUND RODS EQUALLY
 SPACED.
 - 1-1/4"-3/4" DIA ROUND TAPERED METAL LEGS WITH
 SIDE STRETCHERS
 - 2" H SATIN GUNMETAL SABOTS
 - ADJ. NYLON GLIDES

ITEM: C.O.M. F-2106A @ CHAIR
 U1

MFG: ANZEA

PATTERN: TOO CLOSE TO CALL-BUCKAROO

COLOR: MUSCATEL (DEEP RED)

QTY: 1-12 YARDS EACH - 15 YARDS TOTAL

QTY: 10

TOP VIEW

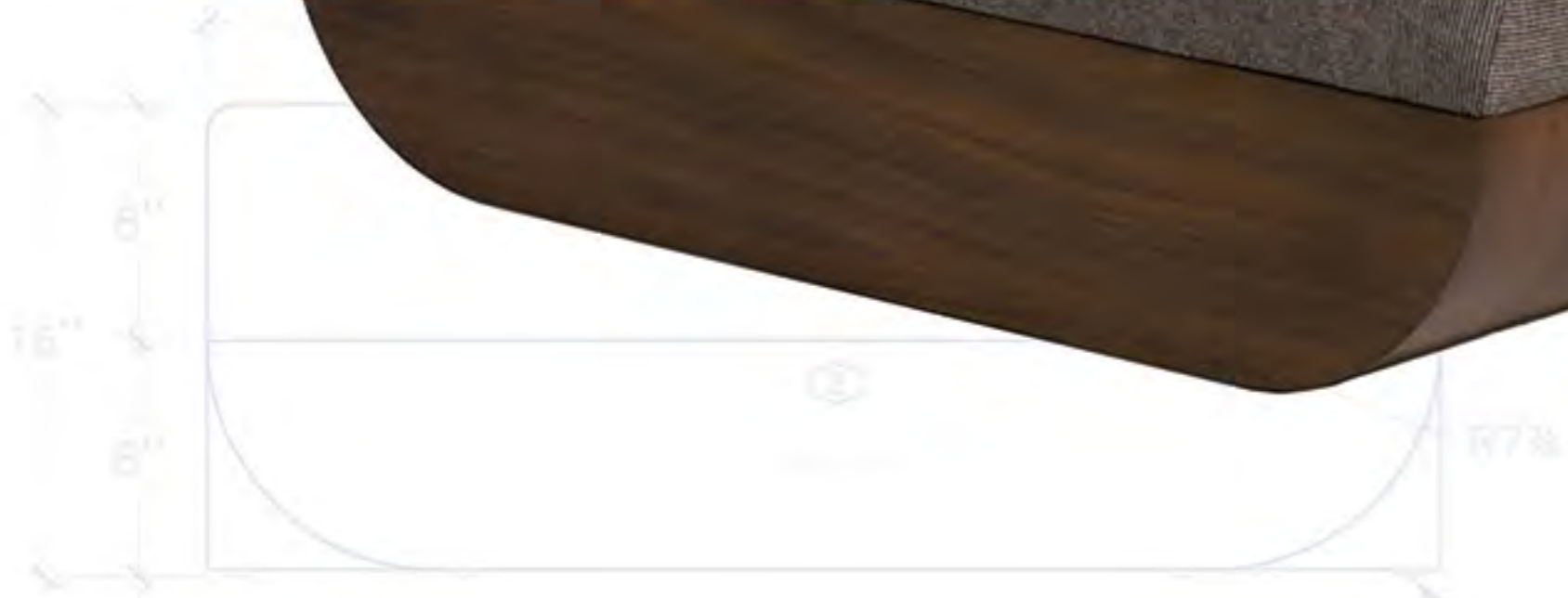
SCALE: 1/2" = 1'-0"



SPECIES: WALNUT
STAIN: #4328

STYLE: TIGHT UPH WITH BLIND STITCHING
①

BASE: 8" HIGH WALNUT WOOD VENEER BASE





YEARS of LUXURY

A
M
I
R
E
N
D



STYLE: WALNUT WOOD VENEER INLAY WITH SOLID EDGES
(STAIN # 4246), AND SPHERICAL BASE - BENJAMIN
MOORE (CHANTILLY LACE ON MAPLE WITH NO
GRAINS)
- BLACKENED STEEL COLUMN (AMTRENDS
BLACKENED STEEL FINISH)

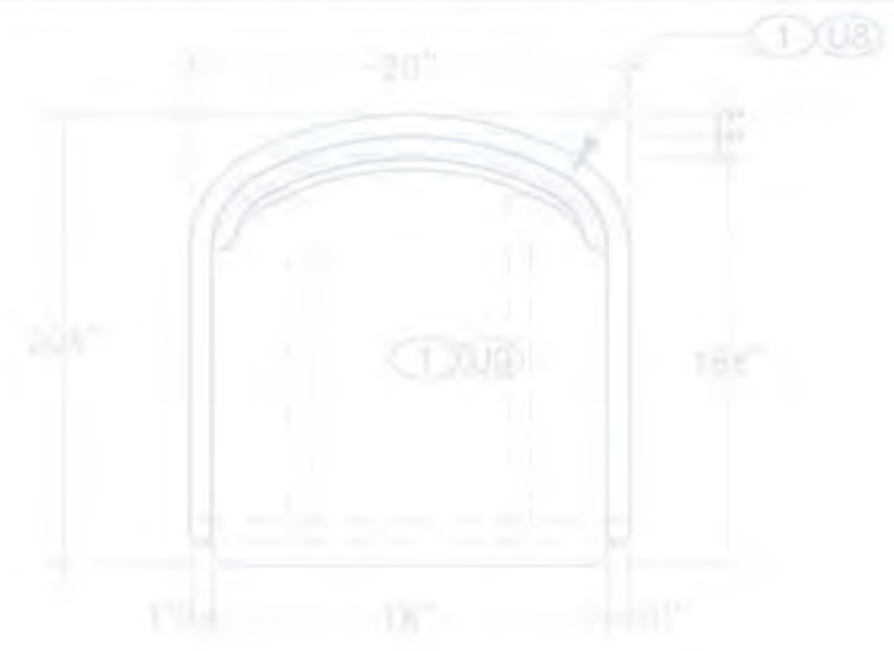
QTY: 11



TOP VIEW
SCALE: 1/8" = 1'-0"



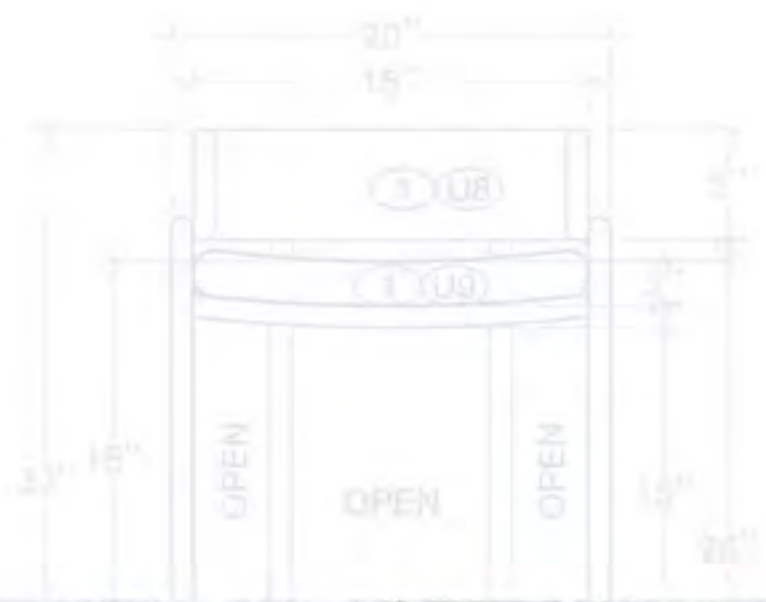
BULLETIN#117-2013, UNLESS OTHERWISE SP



TOP VIEW
SCALE: 1" = 1'-0"



BACK VIEW
SCALE: 1" = 1'-0"



STYLE: UPH BACK PAD AND SEAT PAD
 1 - STAINLESS STEEL FRAME AMTRENDS SATI
 1.2) FINISH
 - NYLON GUIDES

ITEM: C.O.M. @ BACK
 U8
 MFG: BRENTANO
 PATTERN: SELFRIDGE
 COLOR: MILLINERY
 QTY: 1/2 YARD EACH - 8 YARDS TOTAL

ITEM: G.O.M. @ SEAT
 U9
 MFG: FABRICUT
 PATTERN: TECHNICA
 COLOR: BRONZE
 QTY: 1/2 YARD EACH - 8 YARDS TOTAL

QTY: 16

(W1)
SPECIES: BLEACHED WHITE OAK WOOD
STAIN: #4423

STYLE: TIGHT UPH INSIDE/OUTSIDE CURVED BACK AND
(1) TIGHT SEAT
(1.1) - SELF WELT

FRAME: WOOD BACK ACCENT, SEAT BASE AND ROUND

TOP VIEW
SCALE: 1"

SELF WELT
OUTSIDE EDGES

BACK



1980



1990



AMTREN D CORPORATION

2006



AMTREN D



AMTREN D

Luxury casegoods, upholstery and furniture.
Crafted in America. Created for you.

2015



YEARS *of* LUXURY

40
YEARS of LUXURY

A
M
I
T
I
R
E
N
D

HMA
EST. 1980



QTY. 2

TOP VIEW
SCALE: 1" = 1'-0"

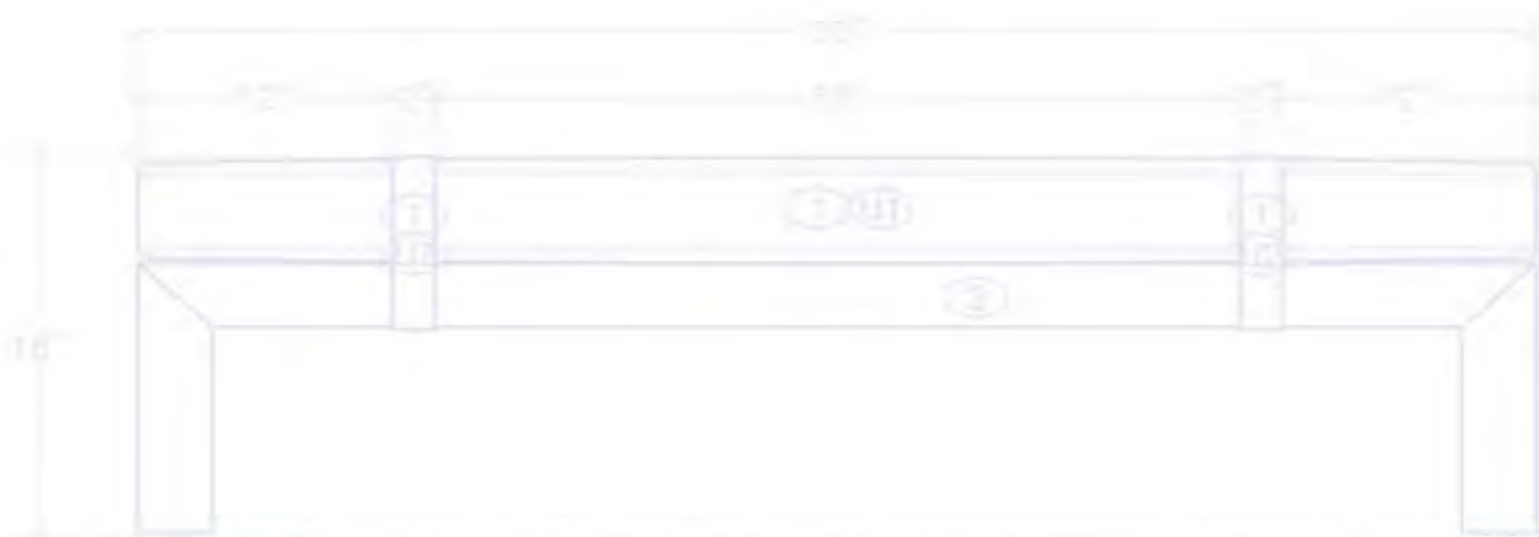




ITEM: 00-01-BCH_BENCH
QTY: 1
SPECIES: WALNUT WOOD
STAIN: F-451

STYLE: MINI BOXED STYLE SEAT CUSHION, ATTACHED
WITH STRAP

TOP VIEW
SCALE: 1"=1'



- ① SEAT AND BACK
- ①① - NYLON GLIDES

ITEM: C.O.M. F08 @ CHAIR

①③

MFG: MAHARAM

PATTERN: KVADRAT 465499

COLOR: #453

QTY: 8 YARDS EACH - 12 YARDS TOTAL

QTY: 2

TOP VIEW
SCALE: 1" = 1'-0"



STYLE: UPH BACK PAD AND 6" THICK ATTACHED SEAT CUSHION (2" HR-30)

EXPOSED WHITE OAK WOOD FRAME, DECK, SPINDLE BACK, 5" HIGH APRON WITH SPINDLE, 7" THICK ROUNDER TAPERED LEGS AND BASE WITH STABLE GLIDES SUITABLE FOR TILED

UPHOLSTERY PAD AND SEAT

SIDE VIEW
SCALE: 1" = 1'-0"

SEAT CUSHION TO BE UPHOLSTERED AND WRAPPED WITH DACRON AT FRONT AND BACK AS WELL AS TOP, TO GIVE A LOFTED FEEL

NOTES:

- NO SHARP CORNERS; ALL EASED EDGES
- AMTRENDS TO DESIGN CHAIR TO REMAIN LEVEL, STRUCTURALLY SOUND AND COMPONENTS TO STAY INTACT
- NO SAGGING ALLOWED AT UPHOLSTERY
- MINIMUM FOAM DENSITY FOR SEAT CUSHION TO BE 11.8 TO 13.6 KG (26 TO 30 LBS) ILD. DACRON WRAP FOR ADDED LOFT
- MINIMUM FOAM DENSITY FOR BACK CUSHION TO BE 6.8 KG (15 LBS) ILD. DACRON WRAP FOR ADDED LOFT.
- SINUOUS WIRE SPRINGS FOR SEAT, SUFFICIENT TO RETAIN 95% MEMORY FOR 5 YEARS
- REINFORCE ROLLED TOP OF BANQUETTE BACK WITH CARDBOARD OR SYNTHETIC MATERIAL

40
YEARS of LUXURY

A
M
I
R
E
N
D

HMA
EST. 1980



STYLE: TIGHT UPH CURVED INSIDE BACK WITH SEAMS,
 (1) OUTSIDE BACK WITH SEAMS AND SELF COVERED
 (1) BUTTONS PLAIN UPH SEAT WITH BLIND SEAM
 - 1/8" SELF WELT

LEGS: EXPOSED WALNUT WOOD LEGS AND SIDE
 (2) STRETCHERS (STAIN #4351)
 (2) - NYLON GLIDES

ITEM: C.O.M @ BACK
 (1)
 MFG: CASAMANCE
 PATTERN: METISSAGE
 COLOR: ACIER/CHOCOLATE
 QTY: 1 YARD EACH - 10 YARDS TOTAL

ITEM: C.O.L @ SEAT
 (1)
 MFG: TIGER LEATHER
 PATTERN: TRATTORIA
 COLOR: OSSOBUCO
 QTY: 18 SQ FT EACH - 181.80 FT TOTAL

QTY: 10



TOP VIEW
 SCALE: 1" = 1'-0"





INSIDE BACK: IROKO WOOD ROUNDED PLANK BACK
①

SEAT: REVERSIBLE SEAT CUSHION WITH STRAPS - DRY
② FAST FOAM (EXTRA FIRM #DF49)
②① IROKO WOOD ROUNDED PLANK SEAT

GREY POWDER COATED METAL FRAME (TO MATCH
SHERWIN-WILLIAMS GREY IRON ORE 7069)

① D.M. @ SEAT CUSHION

PERENNIALS
ISHI
TABLE

SIDE VIEW
SCALE: 1" =

TOTAL

STYLE: TIGHT UPH

- ① - COPPER PLATED METAL BASE
- ② - NYLON GLIDES

O.M. @ POUF

RAM

IA 459950

URNT

TOTAL



TOP VIEW

SCALE: 1" = 1'-0"



40
YEARS of LUXURY

A
M
T
I
R
E
N
D

HMA
EST. 1980





STYLE: BISCUIT TUFTED INSIDE BACK AND PLAIN UPH
 ① REVERSIBLE SEAT CUSHION
 ①① -1/8" SELF WELT

LEGS: EXPOSED WALNUT WOOD DETAIL AT OUTSIDE
 BACK PERIMETER AND BASE (STAIN #4351)
 - NYLON GLIDES

PILLOW: 12" x 20" PILLOW - POLYFILL, KNIFE EDGE,
 CONCEALED ZIPPER

C.O.M. @ CHAIR

COLOR: OPUZEN
 PATTERN: MODERN VELVET
 COLOR: SHADOW
 27 YARD EACH - 28 YARDS TOTAL

C.O.M. @ PILLOW 12" x 20"

COLOR: VALLEY FORGE
 PATTERN: KINETIC MOVES 2
 COLOR: EGYPTIAN SAND
 1 YARD EACH - 4 YARDS TOTAL

**QTY: (4) LOUNGE CHAIR
 (4) PILLOWS**

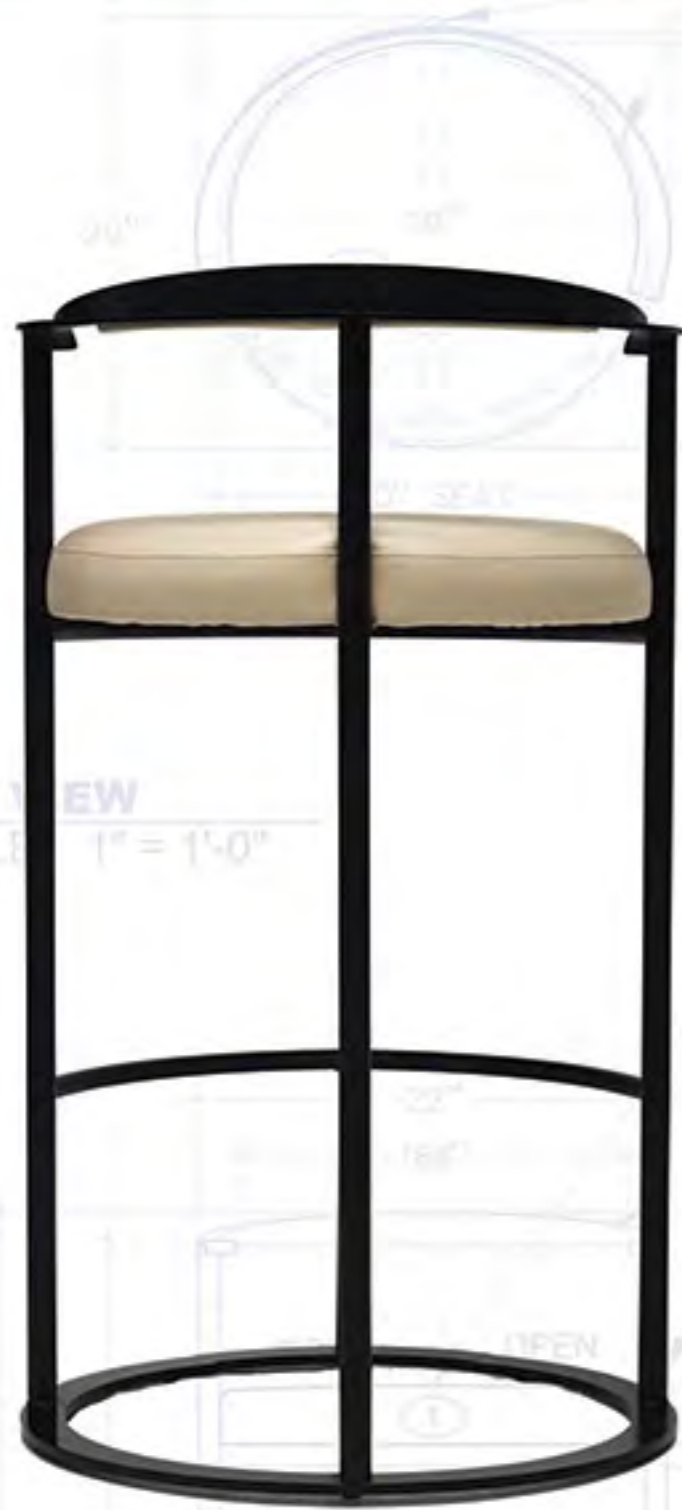
*** PILLOW SHAPE AND THICKNESS IS DRAWN
 FOR GRAPHIC REPRESENTATION ONLY ***



TOP VIEW
 SCALE: 1" = 1'-0"

FRONT VIEW
 HED SEAM

REVISIONS
 DATE
 DESCRIPTION
 YAMAYA SAN MANIPI



1 TOP VIEW
SCALE 1" = 1'-0"



BACK VIEW
SCALE 1" = 1'-0"



STYLE: TIGHT UPH SEAT PAD (MEDIUM FIRM W/ CROWN)
①

STYLE: MATTE BLACK BK247 POWDER COAT M
② FRAME
③ NYLON

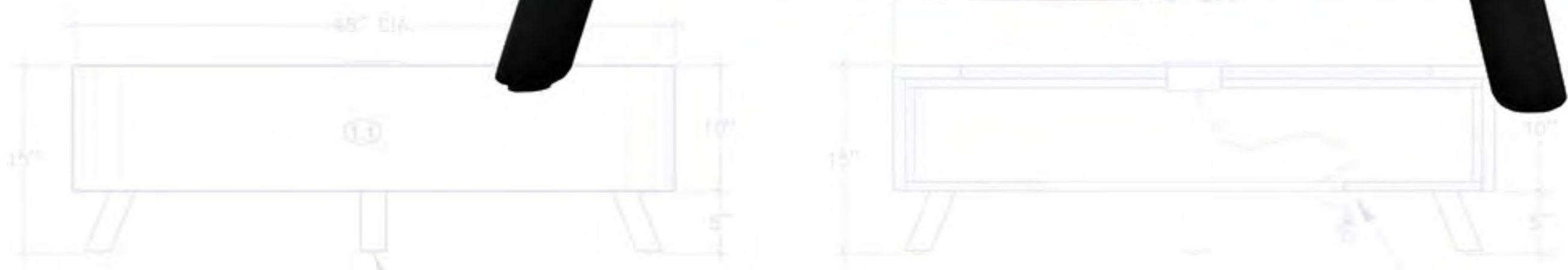
ITEM C.O.M. @ SEAT
④
MFC: MIL DOUX

QTY: 7

STYLE: CROSS CUT TREE STUMP INLAY
①
①① - NATURAL GRAY PRECAST (CONCRETE APPEARANCE)
LEGS: 5" HIGH BLACK POWDERCOAT LEGS
②
②① - ADJUSTABLE NYLON GLIDES
①① BYRNE ECLIPSE 2 PWR/USB OUTLET (PENDING APPROVAL)



① TOP VIEW
SCALE: 1" = 1'-0"





ITEM: 23-253-SG_ACCENT CHAIR
(W1)

MATERIALS: MAPLE WOOD
STAIN: STOCK STAIN # 4300 (TO MATCH BW6258 TRICORN BLACK)

STYLE: (2) 6" DIA. x 21" BOLSTER PILLOWS AND ATTACHED SEAT

FRAME: PAINTED MAPLE WOOD FRAME (TO MATCH TRICORN BLACK)
(2) - SYNTHETIC CANE INSET AT BACK AND SIDE
(2.2) NYLON GLIDES

ITEM: C.O.M. @ CHAIR
(U)

MFG: LARK FONTAINE
PATTERN: SPICY
COLOR: LINEN
QTY: 3 YARDS EACH - 12 YARDS TOTAL

QTY: 4 CHAIRS
8 BOLSTER PILLOWS

40
YEARS of LUXURY

A
M
T
R
E
N
D

HMA
EST. 1980

AMTRENND
casagoods | upholstery | furniture



ITEM: SC-305-TA_CENTER TABLE

(W1)

SPECIES: WHITE OAK WOOD

FINISH: # 4415

TOP: SOILESTONE ET. STATUARIO 1-1/2" BUILD UP
ON SE TOP

BASE: 20" DIA. WOOD VENEER BASE

(2)

(2.1) - NYLON GLIDES

QTY: 1

TOP VIEW

SCALE: 1" = 1'-0"



SEAM WILL NOT BE
VISIBLE AT ALL STONE



BULLETIN#117-2013, UNLESS OTHERWISE S

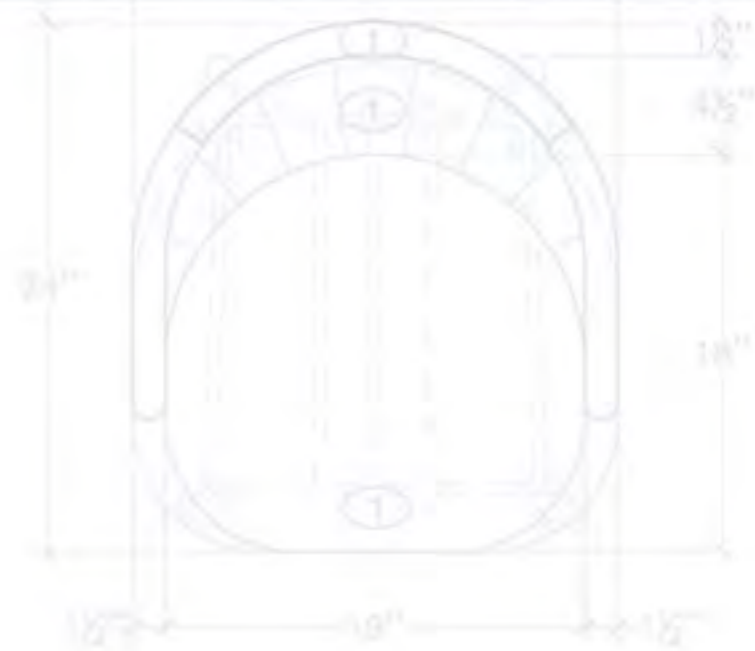
STYLE: VERTICAL CHANNEL INSIDE BACK, PLAIN
 (1) BACK, ARMS, SEMI-ATTACHED SEAT CUS
 BAND

FRAME: RAW WOOD LEGS
 (2) -SATIN CHAMPAGNE PLATED TRAY AND SA
 (2.1) - NYLON GLIDES

ITEM: COVERED IN MUSLIN
 (U1)
 MFG: -
 PATTERN: -
 COLOR: -
 QTY 3 YARDS TOTAL

QTY: 1

**GENERAL NOTES: TO BE CONSTRUCTED FOR HE
 DUTY CONTRACT USE. MANUFACTURER IS
 RESPONSIBLE FOR STRUCTURAL INTEGRITY AND
 BALANCE. MUST SUBMIT ALL FINISH SAMPLES FO
 REVIEW AND APPROVAL PRIOR TO FULL RUN
 PRODUCTION. SEAT FOAM MUST BE FIRM BUT
 COMFORTABLE AND CONTRACT QUALITY TO PE
 POOLING/LUMPY PROFILE. CUSHION TO BE VENT



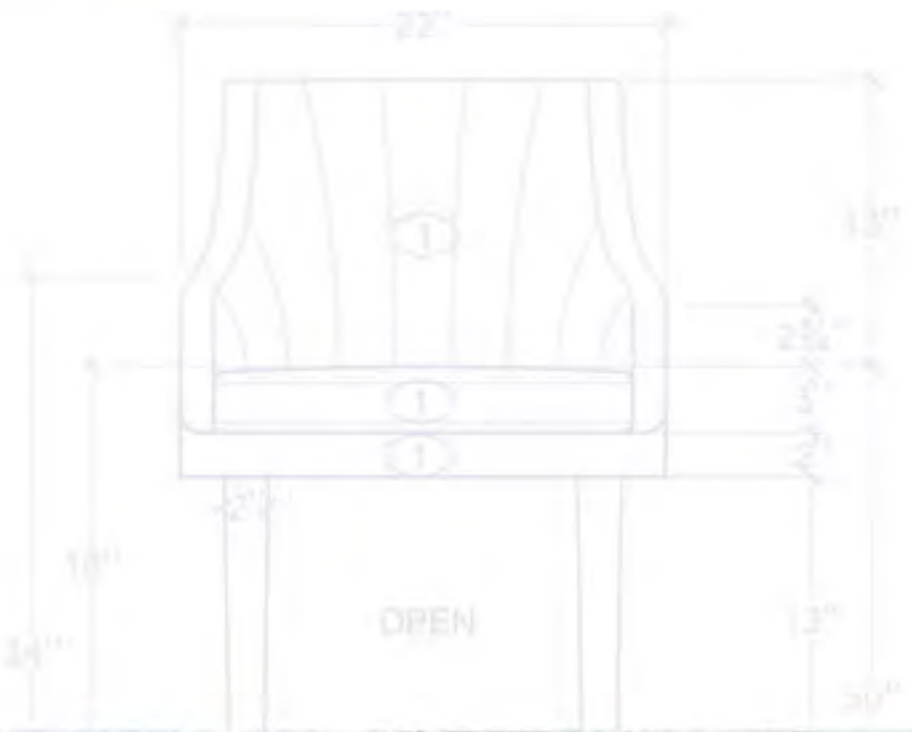
**SABOTS
 FLUSHED



**SEAT CUSHION TO BE
 FLUSHED WITH
 DECKING
 OVERHEAD CUSHION
 WAS TOO LOOSE.
 NEEDS TO BE TIGHTER**

BACK VIEW
 SCALE: 1" = 1'-0"

TOP VIEW
 SCALE: 1" = 1'-0"



STYLE: TIGHT UPH FLOATING SQUARE BACK/ARMS,
BISCUIT BLIND TUFTED WATERFALL SEAT.

LEGS: 1 1/2" ANTIQUE BRASS POWDER COAT METAL LEGS

SIDE VIEW
SCALE: 1" = 1'-0"





YEARS of LUXURY

A
M
T
I
R
E
N
D



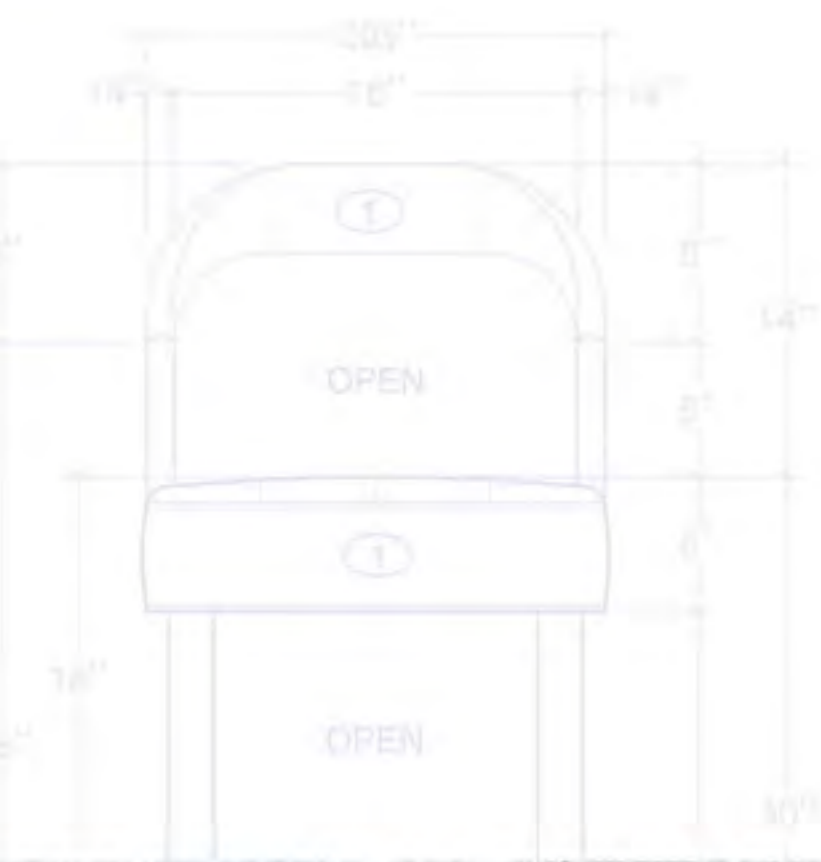
EST. 1980







VIEW
1" = 1'-0"



4 BACK
SCAL



STYLE: UPH INSIDE/OUTSIDE CONTOURED BACK
 ① PANEL/ARMS, VERTICAL SEWN QUILTED TIGHT SEAM
 ①.1 - POLISHED BRASS NAILHEADS AT OUTSIDE BACK/ARMS 1/2" DIA.

LEGS: BLACK LACQUER PAINT ALDER WOOD, TAPERED
 ② LEGS
 ②.1 - POLISHED BRASS "H" STRETCHERS AND SABOTS
 ②.2 - NYLON GLIDES

ITEM: G.O.L @ BARSTOOL
 ①.10
 MFC: MOORE & GILES
 PATTERN: DORAL
 COLOR: MIMOSA
 QTY: 35 SQ FT EACH - 385 SQ FT TOTAL

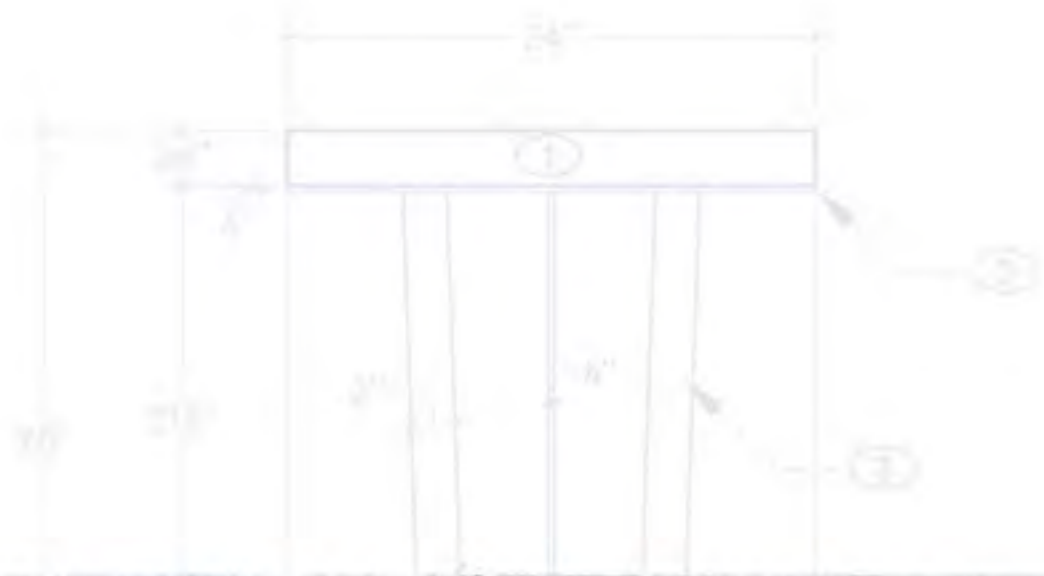
QTY: 11

METAL SATIN BRASS PLATED METAL TABLE TOP BOTTOM
③ EDGE AND BASE (TO MATCH - WILSONART - GRE
ELM - 8201K-12)

QTY: 3



VIEW
E: 1" = 1'-0"





TOP VIEW
SCALE: 3/4" = 1'-0"

STYLE: QPR 6-1/2" DIA. BACKREST, BAND AND SEAT

①	FRAME: BRUSHED BRASS METAL BACK SUPPORT
②	ARMS AND LEGS
③	NYLON GLIDES
④	SEAT & BACK
⑤	CUT LEATHER
	PATTERN: HCYEM 9809
	COLOR: HONEY BROWN (CARAMEL NATURAL BR)
	TOTAL



40
YEARS of LUXURY

A
M
T
I
R
E
N
D

HMA
EST. 1980

casegoods | upholstery | furniture





SIDE VIEW
SCALE: 1" = 1'-0"

TO ENGINEER
SURE SOFA LEGS
LED

ALL CORNER WOOD
CONSTRUCTION TO BE EASED
WITH NO SHARP EDGES





- ①① - CONTRASTING WELT
- ①② - NYLON GLIDES

ITEM: C.O.L. @ INSIDE BACK & SEAT
①①
MFG: A LANGE
PATTERN: SOUTHWEST
COLOR: COAL
QTY: 60 SQ FT EACH - 240 SQ FT TOTAL

ITEM: C.O.L. @ OUTSIDE BACK
①②
MFG: A LANGE
PATTERN: HAIR ON COWHIDE
COLOR: NATURAL BEAUTY GORGEOUS
QTY: 40 SQ FT EACH - 160 SQ FT TOTAL

ITEM: C.O.L. @ WELT
①③
MFG: A LANGE
PATTERN: LIGHT BROWN
COLOR: YOLO
QTY: 25 SQ FT EACH - 100 SQ FT TOTAL

QTY: 4



① SIDE TABLE
SEAT (3) UPH ATTACHED TIGHT SEAT
② -SELF WELT
③ MATTE BLACK POWDER COATED METAL TUBE OPEN

① TOP VIEW
SCALE: 1" = 1'-0"





YEARS of LUXURY

A
M
T
I
R
E
N
D



SPECIES: WHITE OAK WOOD
STAIN: STAIN # 4350

STYLE: LOOSE SEAT AND BACK CUSHION, DRY FAST
FOAM

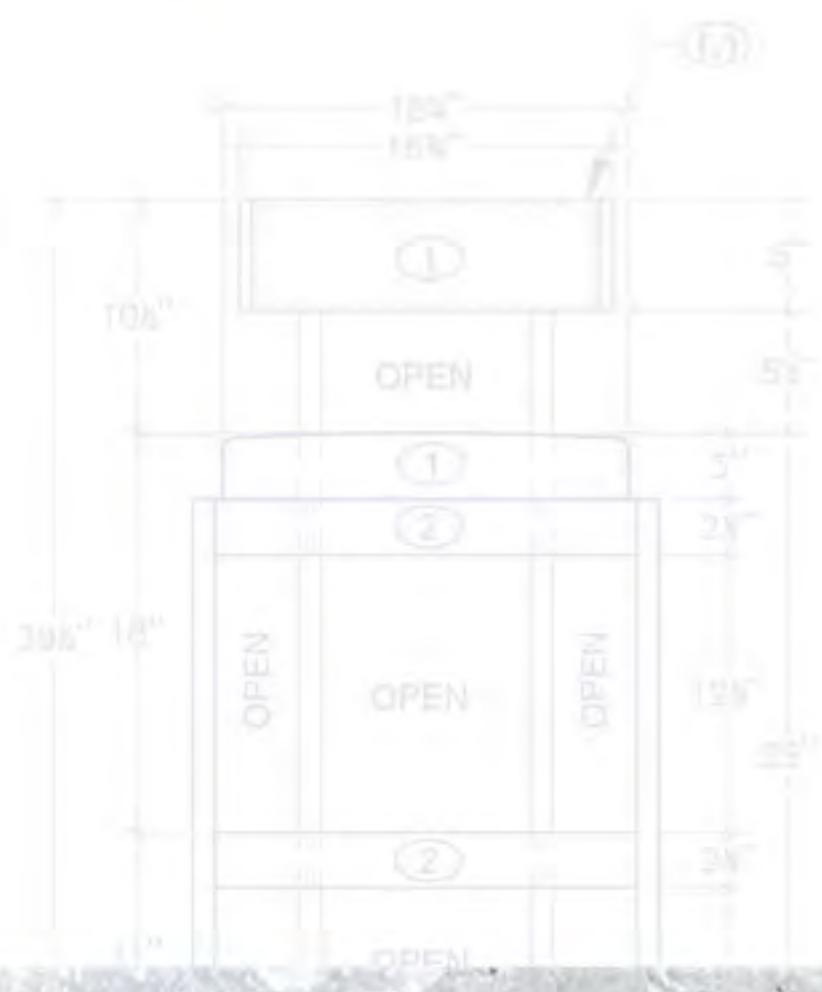
BASE: WHITE OAK WOOD BOX FRAME WITH RECESSED
BASE
- NYLON GLIDERS

OTHER: TRILLIUM





TOP VIEW
SCALE: 1" = 1'-0"



BACK VIEW
SCALE: 1" = 1'-0"

FRAME: SATIN BRONZE PLATED METAL FRAME WITH
 ② ROUNDED BACK HANDLE AT TOP
 ②① - NYLON GLIDES

ITEM: C.O.M. @ BARSTOOL
 ①①
 MFG: NO MFR
 PATTERN: MORONA VELVET
 COLOR: COBALT
 QTY: 1 YARD EACH - 7 YARDS TOTAL

QTY: 7

ALL WELDED JOINTS TO BE SMOOTH



ITEM:	WOOD SPECIES @ BENCH
(W)	SPECIES: MAPLE WOOD
STYLE:	(1) UPH TIGHT SEAT
LEGS:	(2) BRASS PLATED METAL LEGS (3) NYLON GLIDES
	IRON WITH
	NEWEST NAVY
	SQ FT TOTAL
QTY:	1

TOP VIEW
SCALE: 1" = 1'-0"

OPEN

OPEN

OPEN



ITEM: LM-200
 (W)
 SPECIES: MAPLE WOOD
 STAIN: MARRIOTT STANDARD WEAVE

STYLE: UPH WING BACK, CURVED APRON AND
 (1) CUSHION

LEGS: MAPLE WOOD ROUND LEGS
 (2)
 (2) - NYLON GLIDES

ITEM: UPH @ CHAIR
 (U)
 MFG: P KAUFMANN
 PATTERN: KARAKUL
 COLOR: CM004
 QTY: 2-1/2 YARDS EACH - 5 YARDS TOTAL

QTY: 2

1 **TOP VIEW**
 SCALE: 1" = 1'-0"



40
YEARS of LUXURY

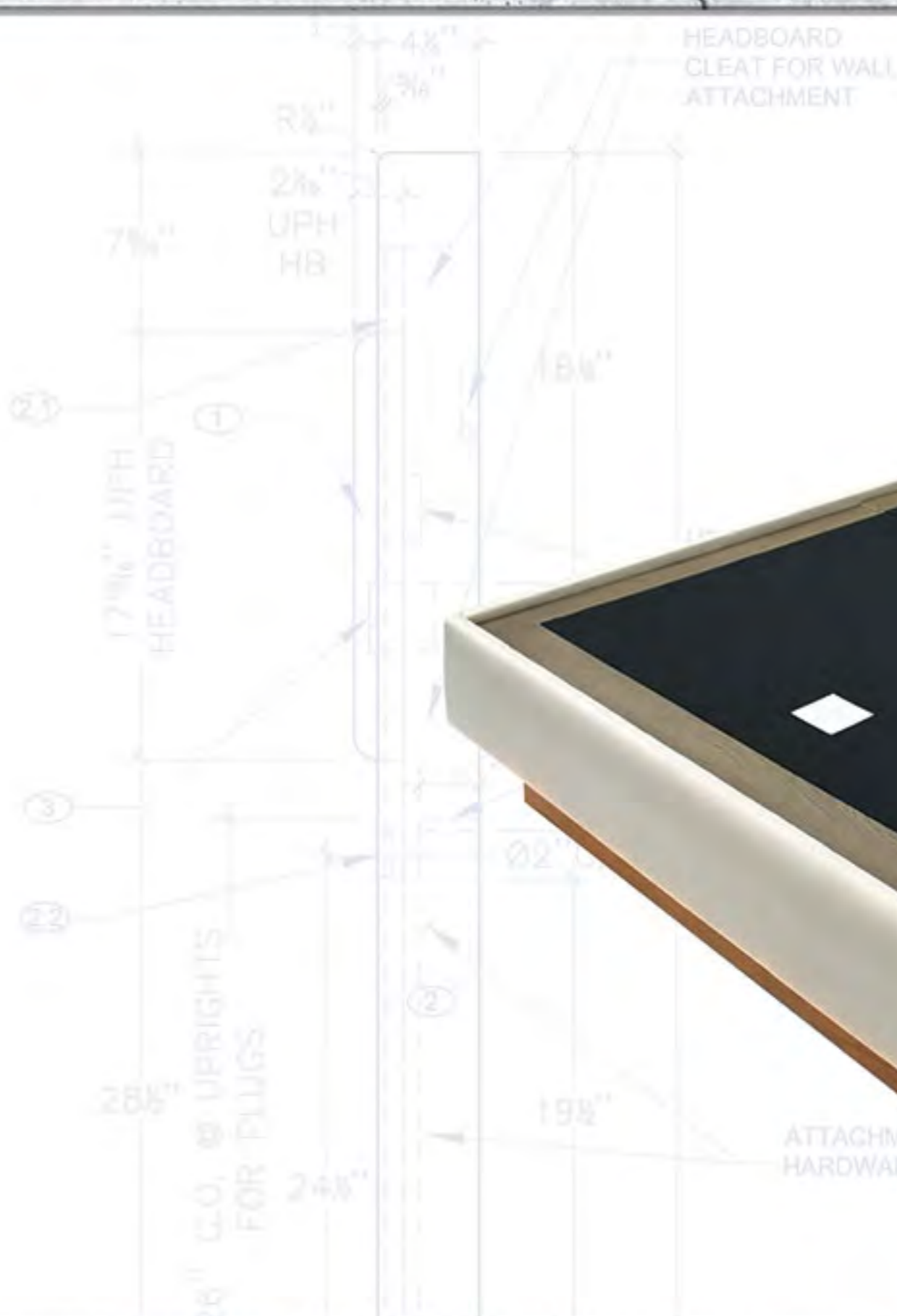
A
M
T
I
R
E
N
D

HMA
EST. 1980



casegoods | upholstery | furniture





ITEM: F-3533 UPH HEADBOARD
 (A/B)

WHITE OAK
 4402

UPH HEADBOARD WITH CLEAT FOR ATTACHMENT TO HEADBOARD - 78" W X 17-15/16" H

WOOD VENEER AND SOLIDS FRAME WITH CUTOUT AT BOTTOM
 NET OAK WOOD TAMBOUR WOOD SURFACE
 FINISH PROFILE 383
 (2) STANDARD BLACK GROMMET - (6 TOTAL)
 (2) TELEADAPT TA-7540US-USN2 - (6 TOTAL)

1 M. @ HEADBOARD

MODIFICATIONS
 : BARCELONA
 'SLIK'

(2) YARDS EACH - 7-1/2 YARDS TOTAL

QTY: 3

WOOD FRAME OUTSOURCE

- NOTES:
- HEADBOARD TO BE KNOCKDOWN
 - HEADBOARD TO BE MOUNTED IN FRONT OF THE BASE BOARD AND SECURED TO THE UPHOLSTERED PANEL TO HAVE SOFT CORNERS AND SLIGHT CROWN AT CENTER WITH CONTINUES COM AND NO VISIBLE SEAMS
 - HEADBOARD FABRICATED IN (2) SEPARATE



STYLE: UPR INSIDE/OUTSIDE BACKARMS (OPEN BOTTOM SLAT) AND TIGHT SEAT

FRAME: ANTIQUE BRONZE POWDER COAT METAL
 (2) FRAME
 (2.1) NYLON GLIDES

ITEM: T385G @ INSIDE BACK & SEAT
 (U1)
 MFG: MAHARAM
 PATTERN: LARIAT 44001
 COLOR: 031 AUBURN
 QTY: 1-1/2 YARDS EACH - 57 YARDS TOTAL

ITEM: T428B @ OUTSIDE BACK
 (12)
 MFG: BAUMANN
 PATTERN: LUXURY-ROUGH 43700/078
 COLOR: OYSTER ROUGH
 QTY: 1 YARDS EACH - 38 YARDS TOTAL

QTY: 38

TOP VIEW
 SCALE: 1" = 1'-0"



STYLE: 3/4" CAMBRIA BRITANNICA WARM QUARTZ
 COUNTERTOP AND ENCLOSURE (TO BE BOOK
 MATCH AS SHOWN)
 1 - MAPLE WOOD FRONT PANEL
 2 - BLACK POWDER COAT METAL
 3 - NYLON

QTY

TOP VIEW
 SCALE:



40
YEARS of LUXURY

A
M
T
I
R
E
N
D

HMA
EST. 1980

Casagobas | upholstery | furniture





BASE: 4" HIGH WALNUT WOOD VENEER PLINTH BASE
(2)
(2.1) - NYLON GLIDES
PILLOW: (1) 6" T x 24" W x 8" H LUMBAR SUPPORT PILLOW
(3) POLY FILL, ROUNDED EDGES, CONCEALED ZIPPERS
(TOTAL = 188)
OTHER: (1) TELEADAPT TA-7540US
(4) (BLACK RUBBERIZED FACE PLATE)
(TOTAL = 188)

VIEW/LEFT SIDE
SCALE: 3/4" = 1'-0"

SOFA
ARDS TOTAL
SOFAS,
AS, &

THICKNESS IS
PRESENTATION ONLY ***





TOP VIEW
SCALE: 1" = 1'-0"



ITEM: F-1119_BELI HOSE STOOL
 (W1)
 SPECIES: MAPLE WOOD
 STAIN: —

STYLE: TIGHT UPH INSIDE/OUTSIDE BACK, WRAP
 (1) AROUND ARMS AND TIGHT BOXED SEAT

BASE: MAPLE WOOD SEAT BASE AND SQUARE TAPERED
 (2) LEGS
 (2.1) - (4) 3/4" DIA SATIN BRASS METAL STRETCHERS
 (2.2) - NYLON GLIDES

ITEM: FABRIC BY AMTRENDS @ STOOL
 (U1)
 MFG: SWAVELLE
 PATTERN: -
 COLOR: WILLOW
 QTY: 3 YARDS TOTAL

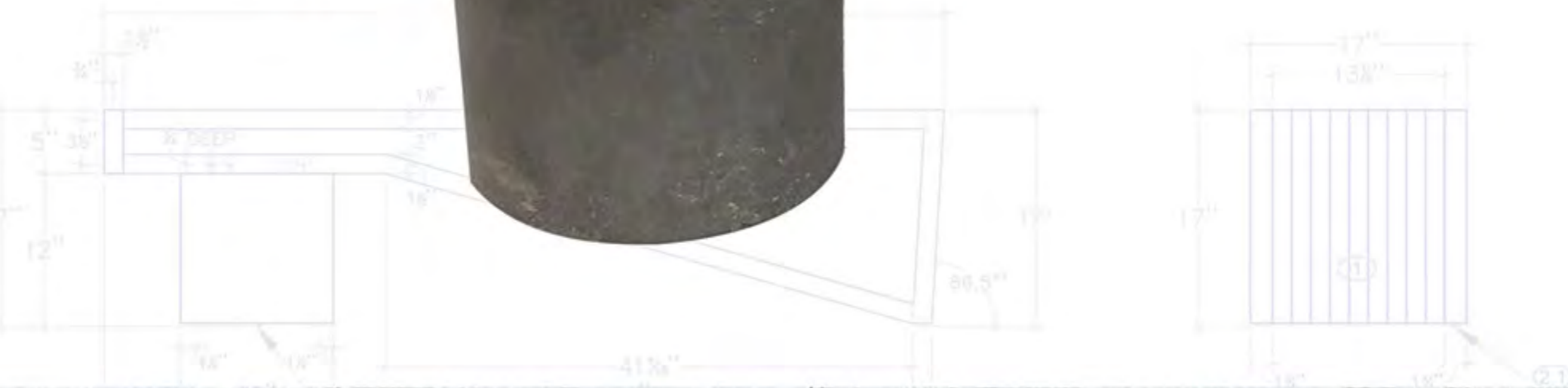
QTY: 1



- ① SLATTED SEAT AND ANGLED BASE
- BASE: 12" DIA x 12" H POLISHED GRAY PRECAST LIGHT WEIGHT CONCRETE LEG WITH 1/2" T WOOD INSERT
- ② - NYLON GLIDES



TOP VIEW
SCALE: 1"





STYLE: TIGHT INSIDE/OUTSIDE BACK AND TIGHT SEAT
 (1)

FRAME: PLATED METAL FRAME TO MATCH CHEMETAL 904
 (2) BRUSHED LIGHT BRASS (AMTRENDS SATIN BRASS)
 (2.1) - NYLON GLIDES

PILLOWS: (1) 20" x 20" & (2) 13" x 13" KNIFE EDGE, POLYFILL
 (3) CONCEALED ZIPPER (TOTAL 18)

ITEM: C.O.M. @ CHAIR
 (U)
 MFG: NASSIMI

(U3)
 MED. CYCLE
 PATTERN: MISIA PEINTURE
 COLOR: ...
 34 YARD EACH - 3 YARD TOTAL

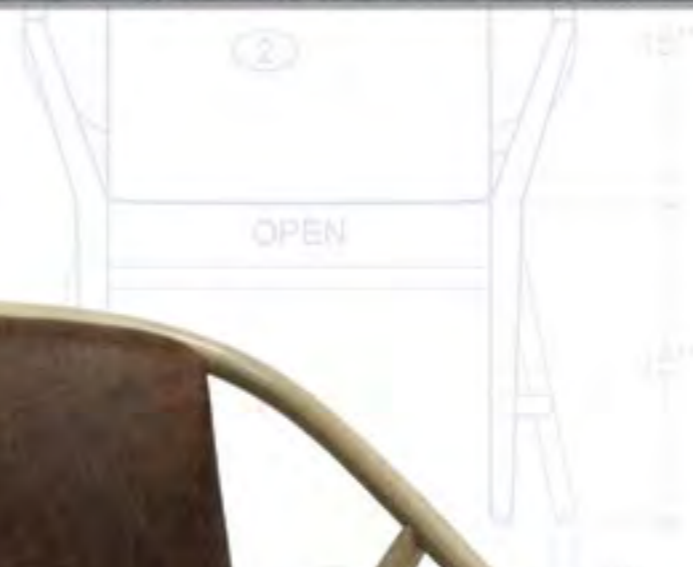
QTY: 6

40
YEARS of LUXURY

A
M
T
I
R
E
N
D

HMA
EST. 1980





STYLE: UPH INSIDE BACK AND SEAT

①

FRAME: FLAT CUT WHITE OAK FRAME AND LEGS WITH STRETCHERS, ROUNDED EDGES

②

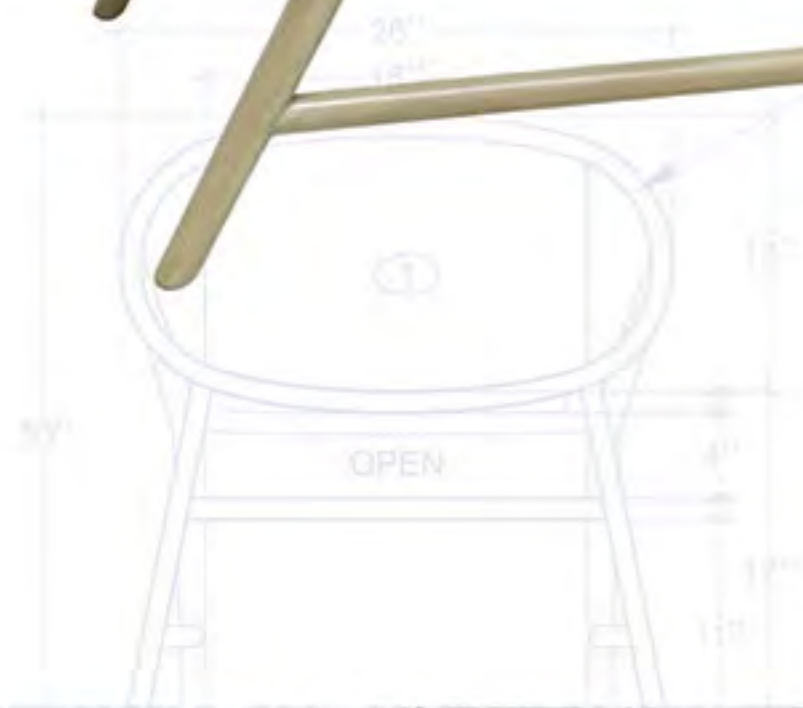
②① - NYLON GLIDES

ITEM: SOLID CHAIR

TOP VIEW
SCALE: 1" = 1'-0"



④
SCALE: 1" = 1'-0"





① (STAIN P-1189)
SEAT: 4" THICK TIGHT UPH SEAT
②
BASE: AMTREND'S BLACKENED STEEL FRAME AND LEGS
③ WITH FOOTREST

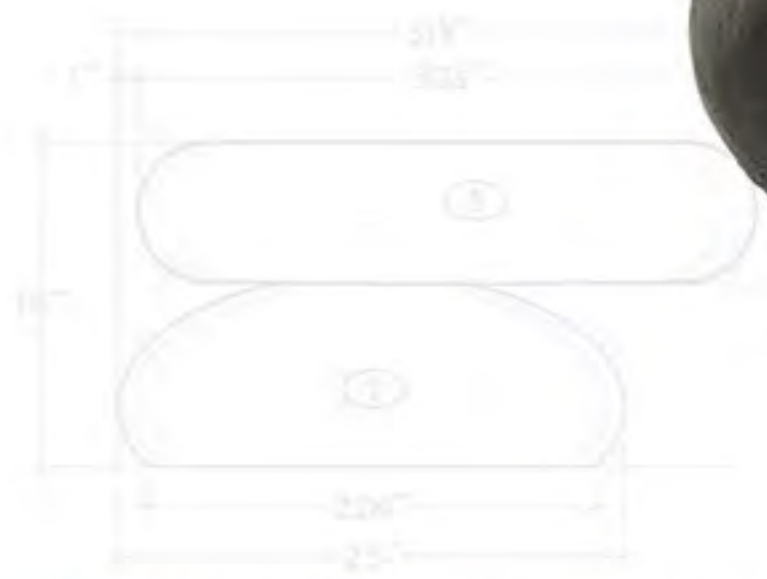
TOP
SCALE

QTY: 1





TOP VIEW
SCALE: 1" = 1'-0"



REV.	DATE	DESCRIPTION	BY	CHK.
1				

HARRISON 555



A
M
M
I
T
T
E
R
E
N
D
D





① AND TIGHT SEAT

FRAME: 1" DIA BRONZE POWDER COAT METAL FRAME
 ② TO MATCH PRISMATIC DARK BRONZE
 UMB-0499, SLED LEGS
 ②.1 - NYLON GLIDES

ITEM: C.O.M. @ CHAIR
 ⑧
 MFG: FABRICUT
 PATTERN: MATCH-L
 COLOR: PEBBLE
 QTY: 4 YARDS EACH - 8 YARDS TOTAL

QTY: 2

VIEW
 E: 1" = 1'-0"

④ BACK VIEW

STYLE:
① - FULLY UPH (FIRM FILL) BENDED METAL
INTERNAL FRAME
② - RECESSED BLACK NYLON GLIDES

ITEM: C.O.M. @ CHAIR SE-130.1
③
MFG: S HARRIS
PATTERN: FOREIGN AFFAIR
COLOR: SADDLE
QTY: 5 YARDS EACH - 20 YARDS TOTAL

QTY: 4

① **TOP VIEW**
SCALE: 1" = 1'-0"





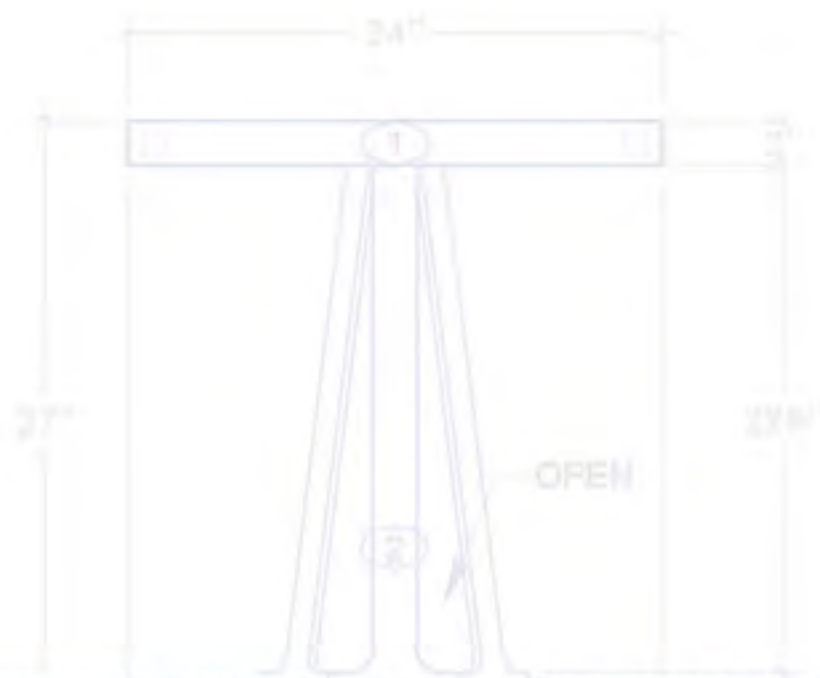
TOP VIEW
SCALE: 1" = 1'-0"



SECTION
SCALE: 1" = 1'-0"

BASE: LIGHT SATIN BRONZE PLATED TEAR DROP
② CUTOUT
②.1 - NYLON GLIDES

QTY: 1





TOP VIEW
SCALE: 1" = 1'-0"



STYLE: FULLY UPH INSIDE/OUTSIDE BACK, TRI BANDED
 ① BASE
 ① - SELF WELT

BASE: BRUSHED LACQUERED BRASS PLATED FOOTRAIL
 ② AND BASE (AMTRENDS BURNISHED BRASS)
 ③ - COMMERCIAL GRADE CLEAR NYLON GLIDES

ITEM: C.O.L. @ STOOL
 ④
 MFG: GARRETT
 PATTERN: VINTAGE
 COLOR: MOSS
 QTY: 100 SQ FT EACH - 500 SQ FT TOTAL

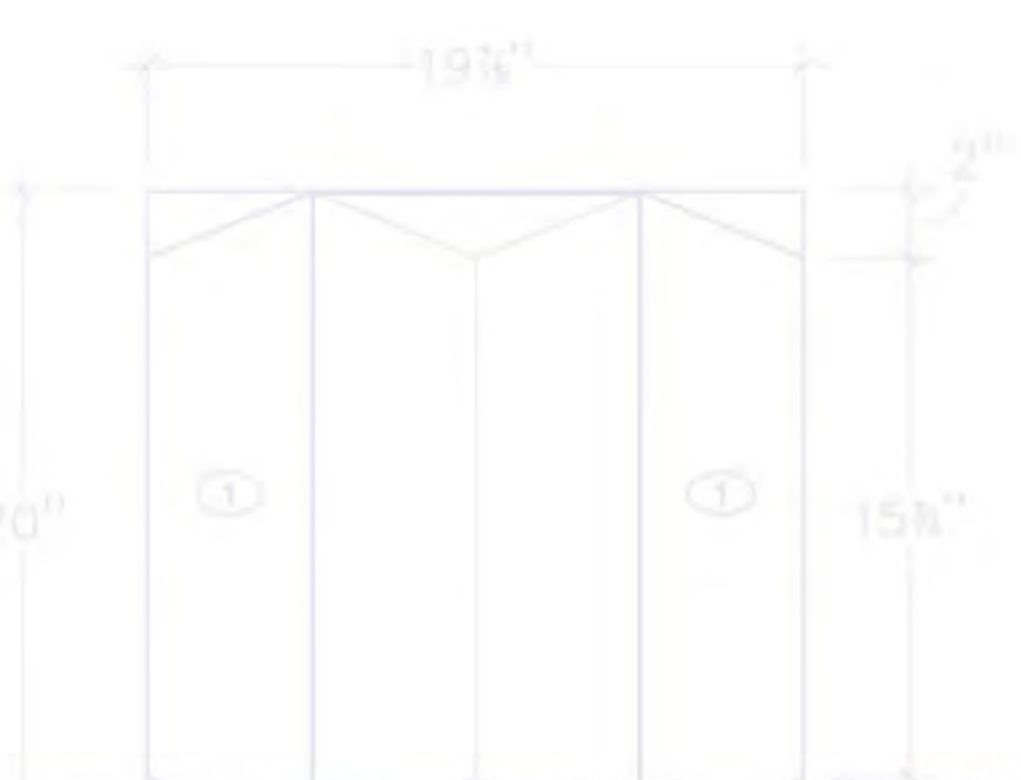
QTY: 5

"TIGHT SEAT - AMTRENDS STANDARD MINIMUM 2" THICK HR-30 FOAM WITH 3/4 OZ. DACRON AT TOP HR-30 IS 2 LB FOAM WITH 30 ILD (SOFTNESS)"



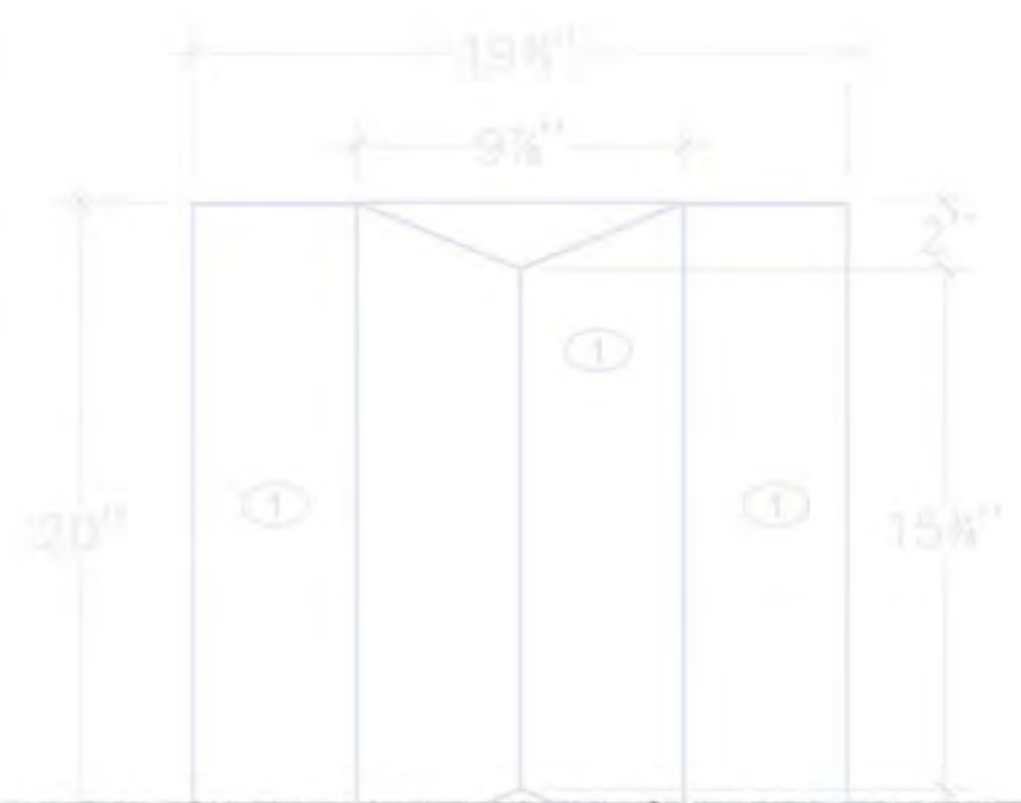


TOP VIEW
SCALE: 1/8" = 1'-0"



- ① WITH LIGHT BRONZE FINISH ON THE INSIDE
- ② -NYLON GLIDES

QTY: 1





TOP VIEW
SCALE: 1" = 1'-0"

SPECIES: MAPLE WOOD
STAIN: WOOD STAIN TO MATCH SAMPLE
WILSONART WALNUT HEIGHTS

STYLE: TIGHT UPH INSIDE/OUTSIDE WING BACK
AND TIGHT SEAT

LEGS: WOOD ARMS AND ROUND TAPERED LEGS
-NYLON GLIDES

ITEM: G.D.M. @ CHAIR
MFG: JUSTIN DAVID
PATTERN: HARRINGTON
COLOR: PICANTE
QTY: 7 YARDS TOTAL

QTY: 1

